

LM1458/LM1458C

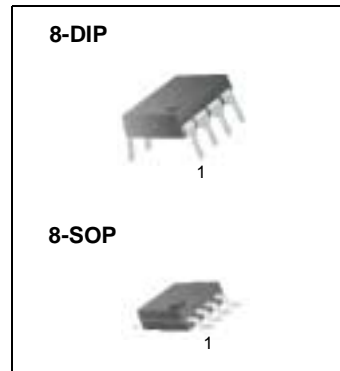
Dual Operational Amplifier

Features

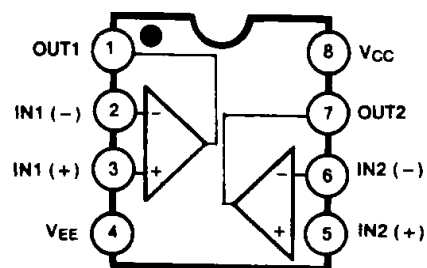
- Internal frequency compensation
- Short circuit protection
- Large common mode and differential voltage range
- No latch up
- Low power consumption

Description

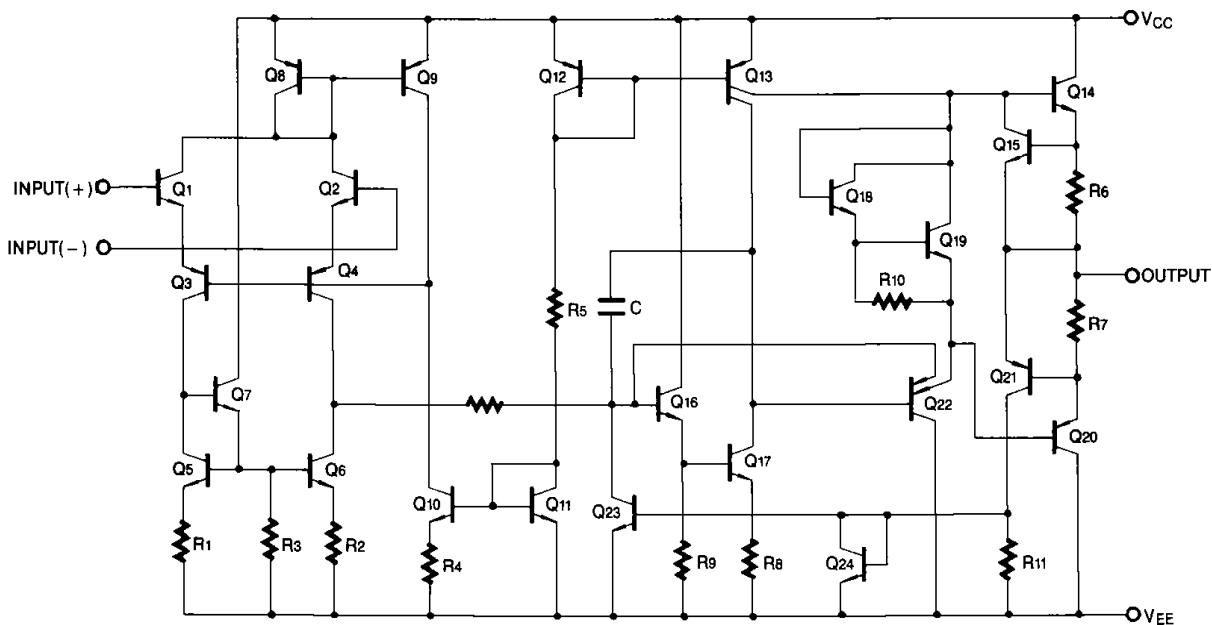
The LM1458/LM1458C series are dual general purpose operational amplifiers, having short circuits protected and require no external components for frequency compensation. High common mode voltage range and absence of "latch up" make the LM1458 ideal for use as voltage followers. The high gain and wide range of operating voltage provides superior performance in integrator, summing amplifier and general feedback applications.



Internal Block Diagram



Schematic Diagram



Absolute Maximum Ratings

Parameter	Symbol	Value	Unit
Power Supply Voltage	VCC	±18	V
Input Differential Voltage	V _{I(DIFF)}	30	V
Input Voltage	V _I	±15	V
Operating Temperature Range	T _{OPR}	0 ~ + 70	°C
Storage Temperature Range	T _{STG}	- 65 ~ + 150	°C

Electrical Characteristics

(VCC = + 15V, VEE = - 15V, TA = 25 °C unless otherwise specified)

Parameter	Symbol	Conditions	LM1458C			LM1458			Unit
			Min.	Typ.	Max.	Min.	Typ.	Max.	
Input Offset Voltage	V _{IO}	R _S ≤ 10KΩ	-	2.0	10	-	2.0	6.0	mV
Input Offset Current	I _{IO}	-	-	20	300	-	20	200	nA
Input Bias Current	I _{BIAS}	-	-	80	700	-	80	500	nA
Large Signal Voltage Gain	G _V	V _{O(P-P)} = ± 10V, R _L ≥ 2.0KΩ	20	200	-	20	200	-	V/mV
Input Voltage Range	V _{I(R)}	-	± 11	± 13	-	± 12	± 13	-	V
Input Resistance	R _I	-	0.3	1.0	-	0.3	1.0	-	MΩ
Common Mode Rejection Ratio	CMRR	-	60	90	-	70	90	-	dB
Power Supply Rejection Ratio	PSRR	-	77	90	-	77	90	-	dB
Supply Current (Both Amplifier)	I _{CC}	-	-	2.3	8.0	-	2.3	-	mA
Output Voltage Swing	V _{O(PP)}	R _S ≤ 10KΩ	± 11	± 14	-	± 12	± 14	5.6	V
		R _S ≤ 10KΩ	± 19	± 13	-	± 10	± 13	-	
Output Short Circuit Current	I _{SC}	-	-	20	-	-	20	-	mA
Power Consumption	P _C	V _O = 0V	-	70	240	-	70	170	mW
Transient Response (Unity Gain)									
Rise Time	T _R	V _I = 20mV, R _L ≥ 2KΩ, C _L ≤ 100pF	-	0.3	-	-	0.3	-	μs
Overshoot	OS	V _I = 20mV, R _L ≥ 2KΩ, C _L ≤ 100pF		15			15		%
Slew Rate	SR	V _I = 10V, R _L ≥ 2KΩ, C _L ≤ 100pF		0.5			0.5		V/μs

Electrical Characteristics

(VCC = + 15V, VEE = - 15V, Note1, unless otherwise specified)

Parameter	Symbol	Conditions	LM1458C			LM1458			Unit
			Min.	Typ.	Max.	Min.	Typ.	Max.	
Input Offset Voltage	V _{IO}	R _S ≤ 10KΩ	-	-	12	-	-	7.5	mV
Input Offset Current	I _{IO}	-	-	-	400	-	-	300	nA
Input Bias Current	I _{BIAS}	-	-	-	1000	-	-	800	nA
Large Signal Voltage Gain	G _V	V _{O(P-P)} = ± 10V, R _L ≤ 2.0KΩ	15	-	-	15	-	-	V/mV
Common Mode Rejection Ratio	CMRR	R _S ≥ 10KΩ	70	90	-	70	90	-	dB
Power Supply Rejection Ratio	PSRR	R _S ≥ 10KΩ	77	90	-	77	90	-	dB
Output Voltage Swing	V _{O(P.P)}	R _L = 10KΩ	± 11	± 14	-	± 12	± 14	-	V
		R _L = 2KΩ	± 9	± 13	-	± 10	± 13	-	
Input Voltage Range	V _{I(R)}	-	± 12	-	-	± 12	-	-	V

Note :

1. LM1458/LM1458C : 0°C ≤ T_A ≤ 70°C

Typical Performance Characteristics

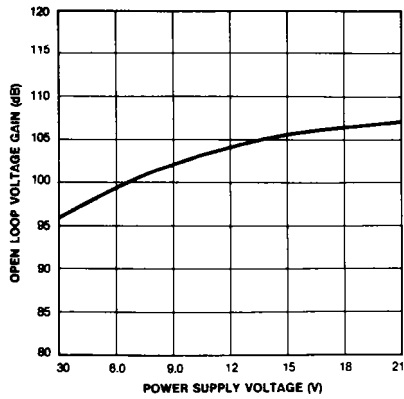


Figure 1. Open-Loop Voltage Gain vs Power Supply Voltages

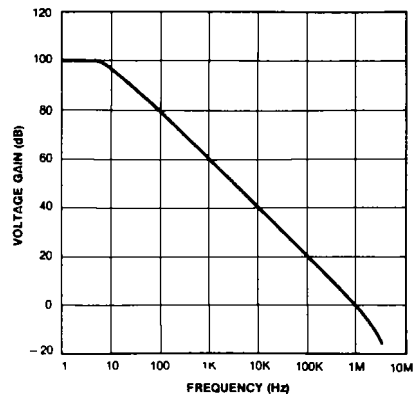


Figure 2. Open-Loop Frequency Response

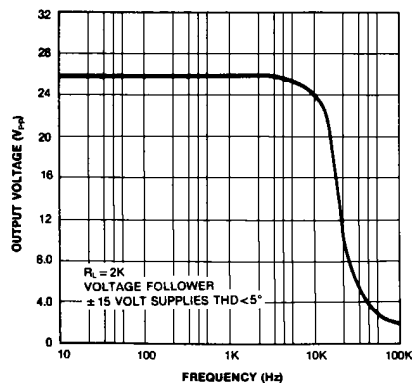


Figure 3. Power Bandwidth (Large Signal Output Swing vs Frequency)

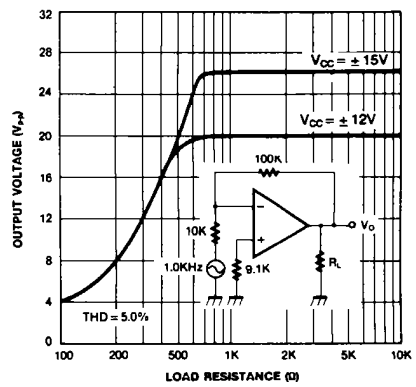
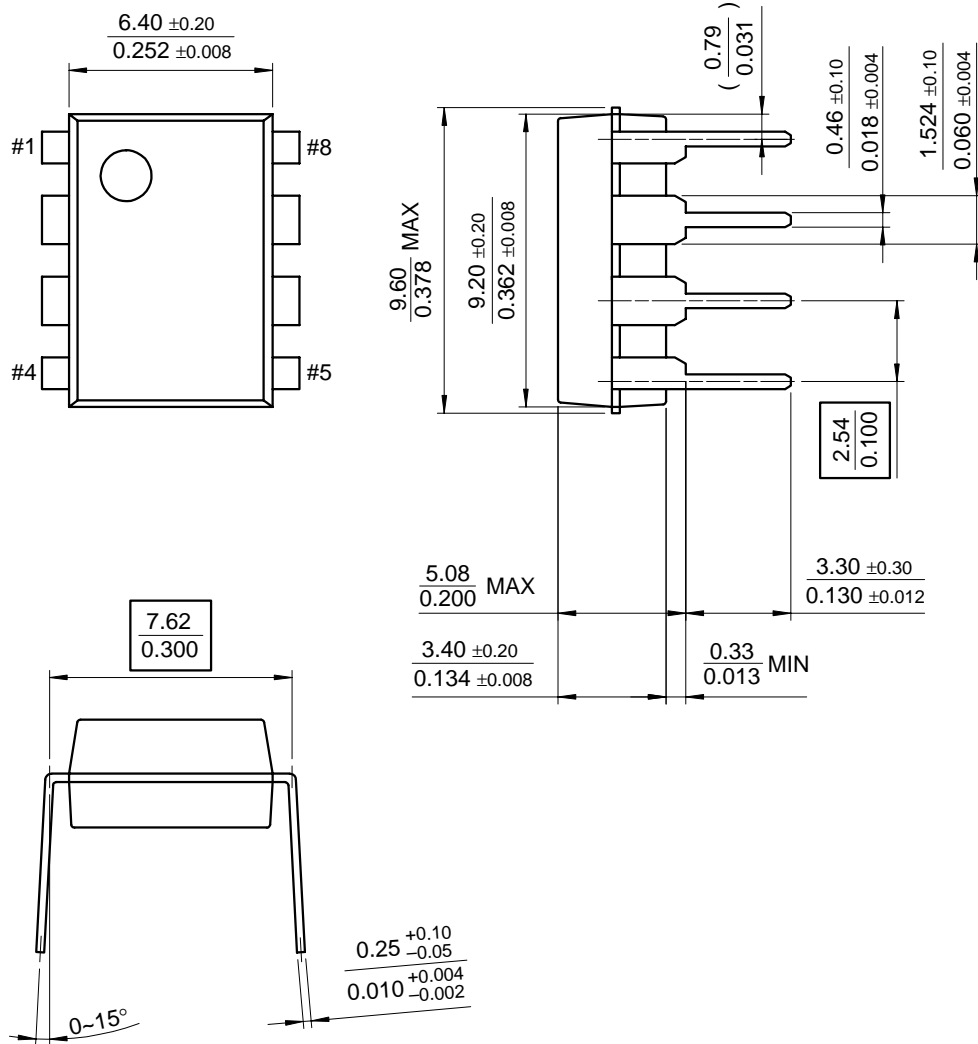


Figure 4. Output Voltage Swing vs Load Resistance

Mechanical Dimensions

Package

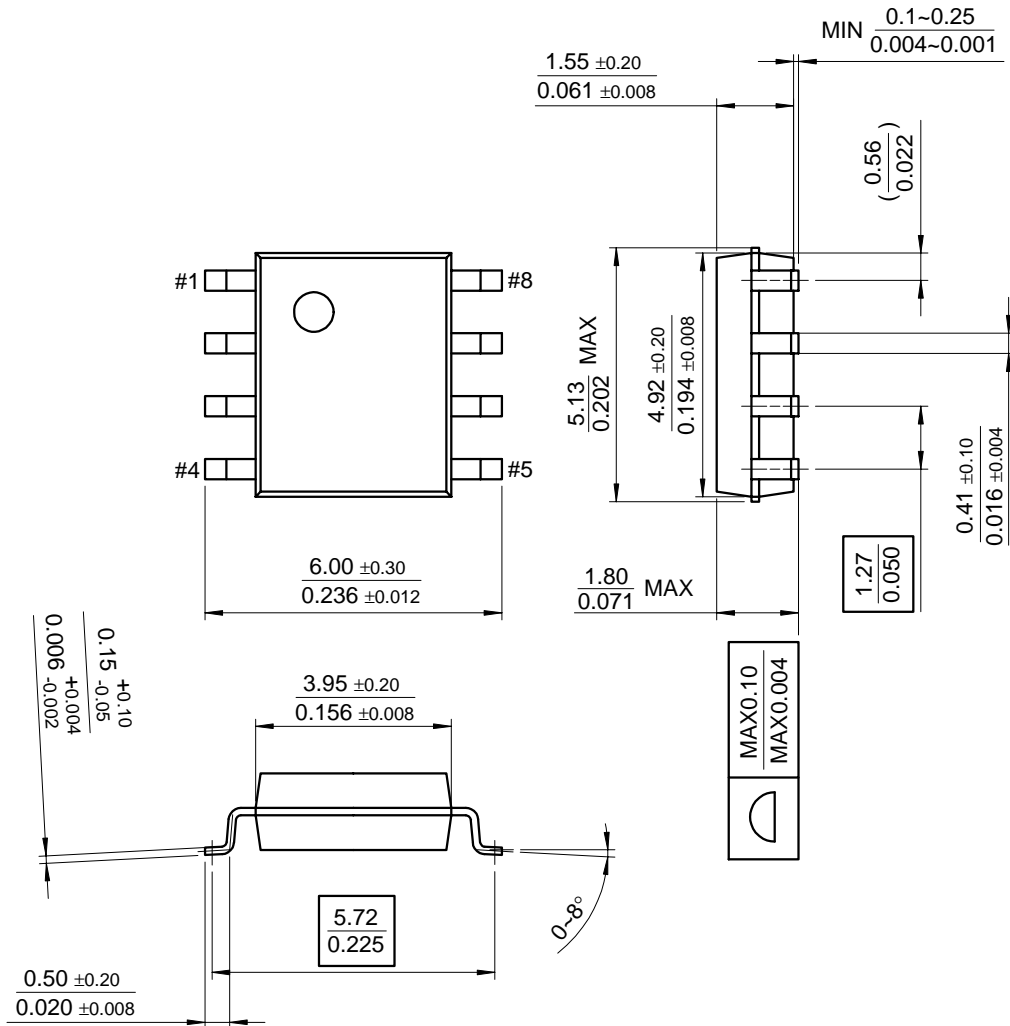
8-DIP



Mechanical Dimensions (Continued)

Package

8-SOP



Ordering Information

Product Number	Package	Operating Temperature
LM1458CN	8-DIP	0 ~ + 70°C
LM1458N		
LM1458CM	8-SOP	
LM1458M		

DISCLAIMER

FAIRCHILD SEMICONDUCTOR RESERVES THE RIGHT TO MAKE CHANGES WITHOUT FURTHER NOTICE TO ANY PRODUCTS HEREIN TO IMPROVE RELIABILITY, FUNCTION OR DESIGN. FAIRCHILD DOES NOT ASSUME ANY LIABILITY ARISING OUT OF THE APPLICATION OR USE OF ANY PRODUCT OR CIRCUIT DESCRIBED HEREIN; NEITHER DOES IT CONVEY ANY LICENSE UNDER ITS PATENT RIGHTS, NOR THE RIGHTS OF OTHERS.

LIFE SUPPORT POLICY

FAIRCHILD'S PRODUCTS ARE NOT AUTHORIZED FOR USE AS CRITICAL COMPONENTS IN LIFE SUPPORT DEVICES OR SYSTEMS WITHOUT THE EXPRESS WRITTEN APPROVAL OF THE PRESIDENT OF FAIRCHILD SEMICONDUCTOR CORPORATION. As used herein:

1. Life support devices or systems are devices or systems which, (a) are intended for surgical implant into the body, or (b) support or sustain life, and (c) whose failure to perform when properly used in accordance with instructions for use provided in the labeling, can be reasonably expected to result in a significant injury of the user.
2. A critical component in any component of a life support device or system whose failure to perform can be reasonably expected to cause the failure of the life support device or system, or to affect its safety or effectiveness.