

PB-MC-AVR28 28 Pin AVR Full Size Development Board

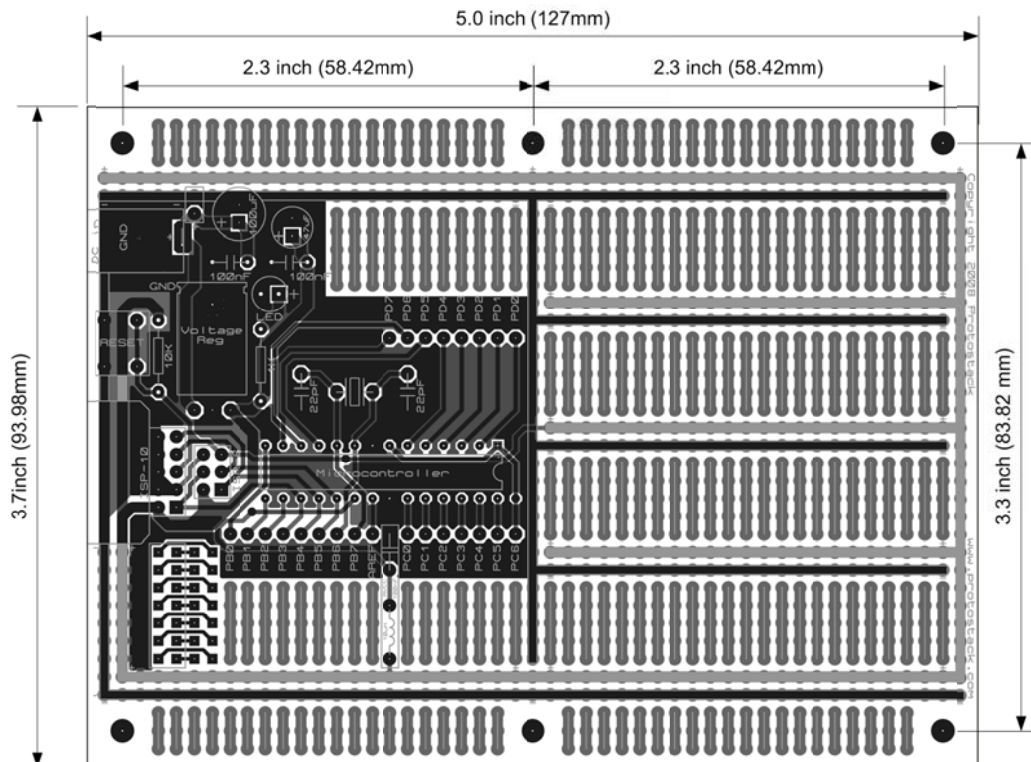
Overview

The Protostack 28 Pin AVR Full Size Development Board is designed for ATMEL AVR Microcontrollers that are available in the PDIP 28 pin package. This board provides the infrastructure necessary to use the microcontroller, “untangles” the I/O ports in order to present them in an orderly fashion, and provides area for the user to add their own circuitry

Specifications

Size:	5" x 3.7" (127 x 93.98mm)
Mounting Holes:	6 x 0.125" (3.175mm)
Component Holes:	1311 x 35mil (0.9mm), 46 x 30mil (0.75mm) and 3 slotted holes
Component Hole Pitch:	0.1" (2.54mm)
Board Material:	FR4
Pad Treatment:	Lead Free HAL
Copper Thickness:	1oz per sqr foot
Track Width:	60+50 mil for power busses 60 mil for prototyping section
Supported ATMEL Microcontrollers:	ATMEGA8(L), ATMEGA8A ATMEGA48(V), ATMEGA48A, ATMEGA48PA ATMEGA88(V), ATMEGA88A, ATMEGA88PA ATMEGA168(V), ATMEGA168A, ATMEGA168PA ATMEGA328, ATMEGA328P AT90S2333 (obsolete) AT90S4433 (obsolete)

Physical Diagram



Circuit Diagram

