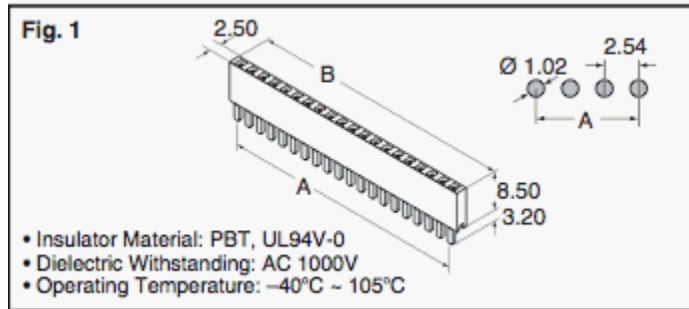


# Female Header

PCB straight

0.1" ('classic') spacing



Single row  
Gold plated contacts  
Not 'break-away'

[Generic datasheet](#)  
Sullins  
PPTC~~xx~~1LFBN-RC (xx is the # of pins)  
E.g., Sullins PPTC361LFBN-RC has 36 pins

[Digikey](#)  
[4uCON series](#)  
(#00563 is 1x36 pin)



1x8 [Generic datasheet](#) [Jameco](#)  
[Digikey](#)



1x6 [Generic datasheet](#) [Digikey](#)



2x10 position  
0.1" x 0.1" [Generic datasheet](#) [Digikey](#)  
female header



"Stacky headers"  
These have extra long 'tails' good for stacking Arduino shields

[1x8 Stacking header](#) [4UCON](#)



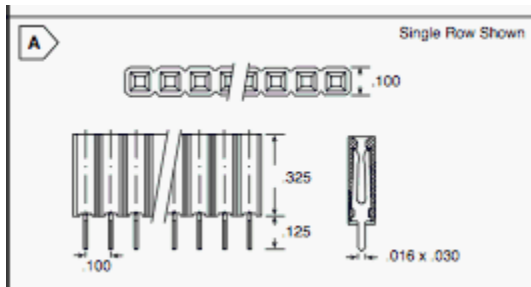
"Stacky headers"  
These have extra long 'tails' good for stacking Arduino shields

[1x6 Stacking header](#)

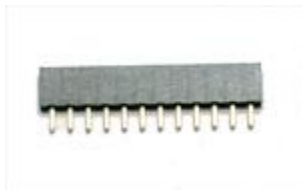
[4UCON](#)

## Mouser

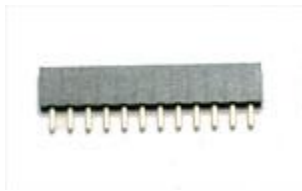
- Tin-plated Contacts
  - 3M 92-9974-01-xx for one row (e.g., 92-9974-01-36 == \$2.15)
  - 3M 92-9975-01-xx for two rows (e.g., 92-9975-01-36 == \$3.74)
- Gold-plated Contacts
  - 3M 92-9850-01-xx for one row
  - 3M 92-9852-01-xx for two rows
- XX is the number of pins per row, and ranges from 2 to 40.
- [Datasheet](#)
- 'break-away' style



## 2mm spacing



**2mm** 10-pin header [Sullins 2mm](#) [Adafruit](#) [Digikey](#) [Mouser](#) [4UCON](#)



**2mm** 12-pin header [Sullins 2mm](#) [Digikey](#) [4UCON](#)

**2mm** 2x6 [Sullins 2mm](#) [Mouser](#)

## PCB Right-Angle



Right-angle  
'nonbreakaway'

Sullins PPCxx1LGBN-RC  
 Digikey ([Datasheet](#)) [4UCON series](#)  
 replace xx with # of pins, (#00653 is 1x36)  
 PPC361LGBN-RC has 36 pins

## Male Header



1-Row, 40 pins total

ex. Tyco 4-103321-0 or 4-103741-0

[Digi-Key Mouser 4UCON series](#)  
 (#00833 is 1x36)  
 Jameco #SMH40  
 ([SMH36](#)) [Element 14](#)

"

2-Row, 80 pins total

ex. Tyco 9-146250-0 or 4-103777-0

[Digikey 4UCON series](#) (#01028 is 2x36)



1-row, 36 pin, extra long!

[Sullins PEC36SFCN](#)

[Digikey](#)



Unshrouded 2x3  
(AVR ISP header)

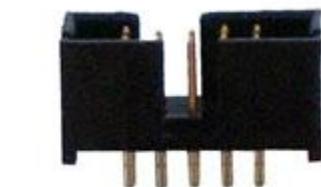
[Generic Datasheet](#)

[JAMECO VALUEPRO #7000-2X3SG](#)  
[Digikey Mouser 4UCON \(1\) 4UCON \(2\)](#)



Shrouded 2x3 (AVR ISP header)

[3M 30306-6002HB](#) [Mouser 4UCON](#)



Shrouded 2x5 (AVR ISP header)

[3M 30310-6002HB](#) [Mouser Digikey 4UCON](#)



2x10 position 0.1" x  
0.1" right angle  
header

[Generic diagram](#)

[Jameco](#) [Digikey](#)  
[4UCON](#)

2x20 Breakaway  
(Green plastic base) Tyco 2-826925-0

[Mouser](#)

## 2mm Male

1x40 Sullins [Digikey](#)  
2x6 unshrouded FCI [Mouser](#)

## Jumpers

Jumpers, also called shunts, let you short together two adjacent pins.

### 0.1"

.100" Jumper - Red Generic (3M 929951-00) [Mouser](#)  
.100" Jumper - Blue Generic (3M 929952-10) [Mouser](#)  
[Mouser Black](#)  
Tall .100" Jumper Kobiconn 803x (untested) [Mouser Blue](#)  
[Mouser Red](#)

### 2mm

2mm Jumper - Black Sullins [Digikey](#)  
FCI [Mouser](#)  
2mm Jumper - Blue Harwin M22-1910046 [Mouser](#)  
2mm Jumper - Red Harwin M22-1920046 [Mouser](#)

/home/ladyada/public\_html/wiki/data/pages/partfinder/header.txt · Last modified: 2011/08/12  
17:15 by ladyada

Except where otherwise noted, content on this wiki is licensed under the following license: [CC Attribution-Share Alike 3.0 Unported](#)

