

**Shenzhen Vatronic Technology CO.,LTD.**

ADD : 4/F,No.404 Blg,Shangbu Industrial Zone,Futian District,Shenzhen,China  
TEL : +86-755-83234801 83233058 FAX:83225058 WebSite:www.vatronic.com

---

# LCM SPECIFICATION

**Customer:**

\_\_\_\_\_

**Module No.:** TG12864H3-03A

\_\_\_\_\_

<b>Approved By:</b> ( For customer use only )	
--	--

<b>Sales By</b>	<b>Approved By</b>	<b>Checked By</b>	<b>Prepared By</b>
<b>Version</b>	<b>En_V1.1</b>	<b>Issued Date</b>	<b>2010-1-13</b>

# Contents

1. Precautions in Use of LCM-----	P3
2. General Specification-----	P3
3. Absolute Maximum Ratings-----	P3
4. Electrical Characteristics-----	P4
5. Backlight Information-----	P4
6. Optical Characteristics-----	P5
7. Interface Description-----	P6
8. Contour Drawing & Block Diagram-----	P7
9. Application circuit-----	P8
10. LCM Function Description-----	P8
11. User instruction Definitions-----	P15
11.1 Instruction table-----	P15
11.2 Instruction description -----	P16
12. Timing Characteristics -----	P23
13. Initializing flow chart -----	P26
14. Display Data RAM Map -----	P30
15. Revision record-----	P31

# Shenzhen Vatronix Technology CO.,LTD.

ADD : 4/F,No.404 Blg,Shangbu Industrial Zone,Futian District,Shenzhen,China  
TEL : +86-755-83234801 83233058 FAX:83225058 WebSite:www.vatronix.com

## 1. Precautions in Use of LCD Module

- (1) Avoid applying excessive shocks to the module or making any alterations or modifications to it.
- (2) Don't make extra holes on the printed circuit board, modify its shape or change the components of LCD Module.
- (3) Don't disassemble the LCM.
- (4) Don't operate it above the absolute maximum rating.
- (5) Don't drop, bend or twist LCM.
- (6) Soldering: only to the I/O terminals.

Storage: please storage in anti-static electricity container and clean environment.

## 2. General Specification

ITEM	STANDARD VALUE	UNIT
Number of dots	128X64 Dots	Dots
Outline dimension	95.0(W)X55.0(H)X10.3MAX.(T)	mm
View area	65.5(W)X38.0(H)	mm
Active area	60.775(W)X32.935(H)	mm
Dot size	0.45(W)X0.49(H)	mm
Dot pitch	0.475(W)X0.515(H)	mm
LCD type	STN, Yellow-Green,Positive	
View direction	6 o'clock	
Backlight	Green LED	

## 3. Absolute Maximum Ratings

ITEM	SYMBOL	MIN.	TYP.	MAX.	UNIT
Operating Temperature	T <sub>OP</sub>	-10	-	+60	
Storage Temperature	T <sub>ST</sub>	-20	-	+70	
Input Voltage	V <sub>I</sub>	0	-	V <sub>DD</sub>	V
Supply Voltage For Logic	V <sub>DD</sub>	0	-	5.0	V
Supply Voltage For LCD	V <sub>DD</sub> -V <sub>EE</sub>	0	-	13.0	V

# Shenzhen Vatronix Technology CO.,LTD.

ADD : 4/F, No.404 Bldg, Shangbu Industrial Zone, Futian District, Shenzhen, China  
TEL : +86-755-83234801 83233058 FAX:83225058 WebSite:www.vatronix.com

## 4. Electrical Characteristics

ITEM	SYMBOL	CONDITION	MIN.	TYP.	MAX.	UNIT
Logic Voltage	$V_{DD}-V_{SS}$	-	2.4	3.0	3.3	V
Supply Volt.For LCD	$V_{DD}-V_O$	$T_a=25$	---	10.5	---	V
Input High Volt.	$V_{IH}$	-	2.0	-	$V_{DD}$	V
Input Low Volt.	$V_{IL}$	-	-0.3	-	0.8	V
Output High Volt.	$V_{OH}$	$I_{oH}=-0.2mA$	2.4	-	$V_{DD}$	V
Output Low Volt.	$V_{OL}$	$I_{oL}=1.6mA$	0	-	0.4	V
Supply Current	$I_{DD}$	-	---	---	1.0	mA

## 5. Backlight Information

Absolute Maximum ratings ( $T_a=25$  )

Item	Symbol	Conditions	Rating	Unit
Reverse voltage	$V_r$	-	5.0	V
Reverse Current	$I_r$	-	20	$\mu A$
Absolute maximum forward Current	$I_{fm}$		500	mA
Peak forward current	$I_{fp}$	1 msec plus 10% Duty Cycle	120	mA
Power dissipation	$P_d$		165	mW
Operating Temperature Range	$T_{oper}$		-30~+70	
Storage Temperature Range	$T_{st}$		-40~+80	

Electrical/Optical Characteristics ( $T_a=25^{\circ}C, I_f=18mA$ )

Color	Wavelength $\lambda$ (nm)	Spectral line half width (nm)	Operating voltage(v) ( $\pm 0.15V$ )	Forward Current (mA)
Green	---	---	3.1	18

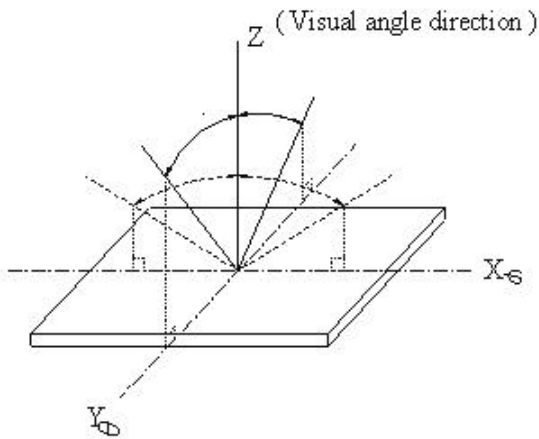
# Shenzhen Vatronix Technology CO.,LTD.

ADD : 4/F, No.404 Bldg, Shangbu Industrial Zone, Futian District, Shenzhen, China  
 TEL : +86-755-83234801 83233058 FAX:83225058 WebSite:www.vatronix.com

## 6. Optical Characteristics

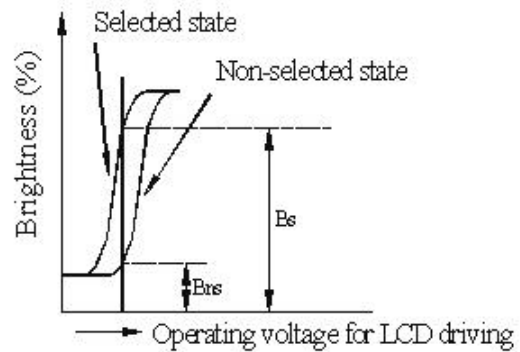
ITEM	SYMBOL	CONDITION	MIN	TYP	MAX	UNIT
View Angle	(V)	CR 2	10	-	120	deg.
	(H)	CR 2	-45	-	45	deg.
Contrast Ratio	CR	-	-	5	-	-
Response Time	T rise	-	-	200	300	ms
	T fall	-	-	150	200	ms

### ■ View Angles

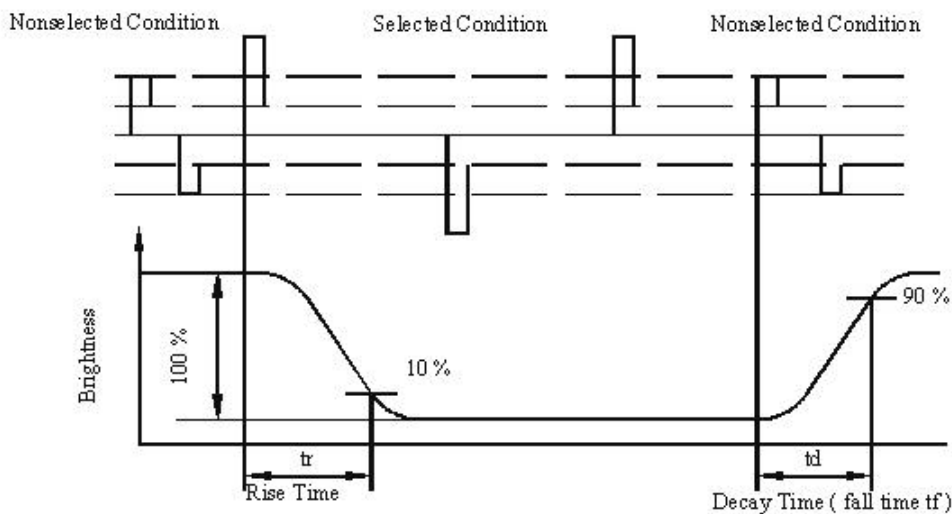


### ■ Contrast Ratio

$$CR = \frac{\text{Brightness at selected state (Bs)}}{\text{Brightness at non-selected state (Bns)}}$$



### ■ Response time



## Shenzhen Vatronix Technology CO.,LTD.

ADD : 4/F,No.404 Blg,Shangbu Industrial Zone,Futian District,Shenzhen,China  
TEL : +86-755-83234801 83233058 FAX:83225058 WebSite:www.vatronix.com

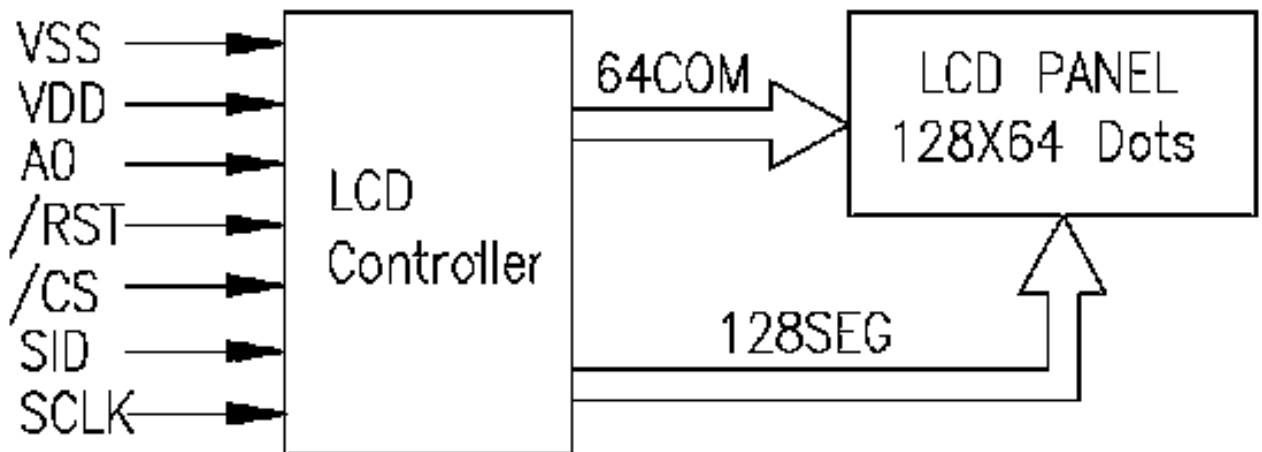
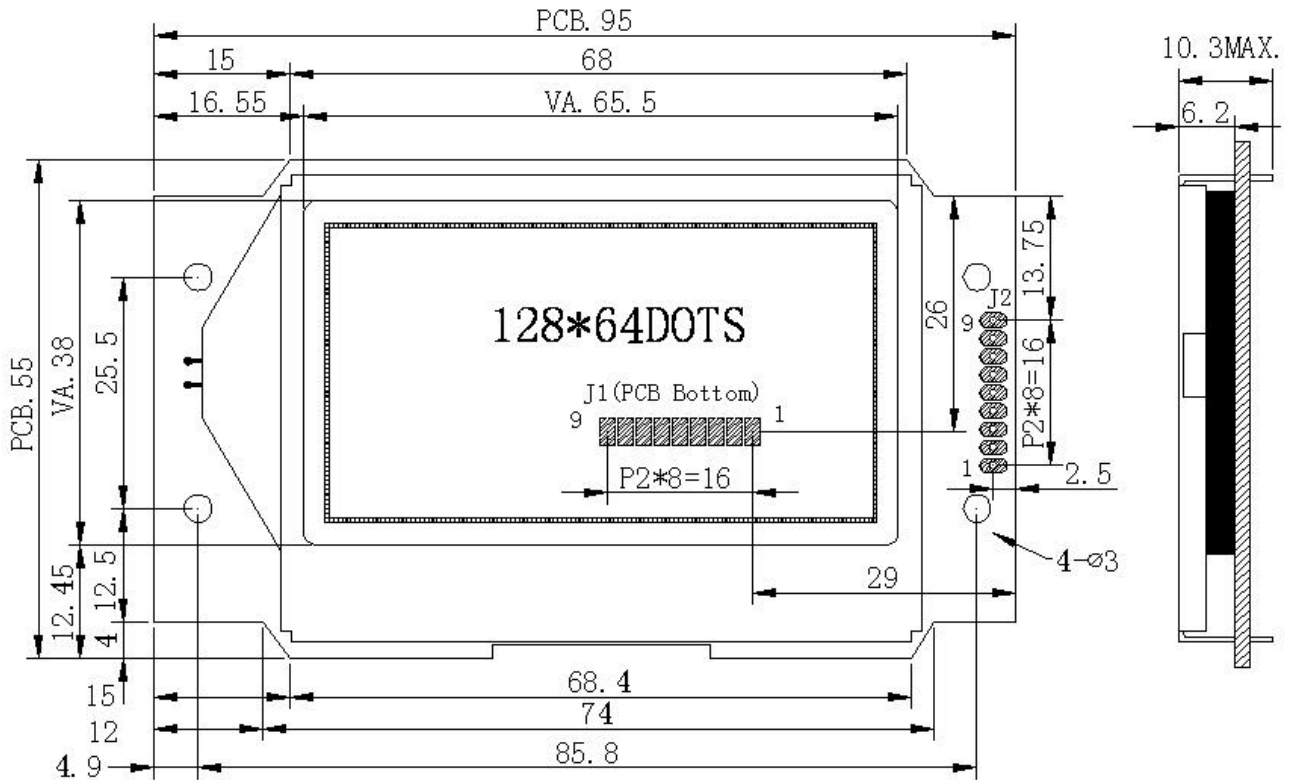
### 7.Interface Description

Pin No.	Symbol	Level	Description
1	/CS	L	Chip select input pins.Low active
2	/RST	L	When /RST is "L", initialization is executed.
3	A0	H/L	Register select input pin A0 = "H": "A0" are display data A0 = "L": "A0" are control data
4	SCLK	H/L	Serial input clock(SCLK)
5	SID	H/L	Serial input data (SID)
6	V <sub>DD</sub>	3.0V	Power supply for Logic
7	V <sub>SS</sub>	0V	Ground
8	K(LED-)	0V	Cathode of LED Backlight
9	A(LED+)	+3.0V	Anode of LED Backlight

# Shenzhen Vatronix Technology CO.,LTD.

ADD : 4/F, No.404 Bldg, Shangbu Industrial Zone, Futian District, Shenzhen, China  
TEL : +86-755-83234801 83233058 FAX:83225058 WebSite:www.vatronix.com

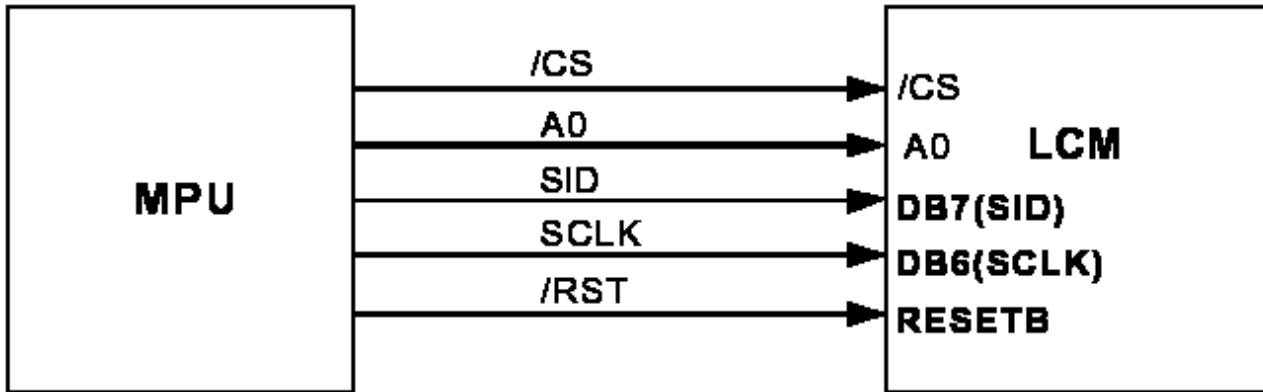
## 8. Contour Drawing & Block Diagram



## Shenzhen Vatronix Technology CO.,LTD.

ADD : 4/F,No.404 Bldg,Shangbu Industrial Zone,Futian District,Shenzhen,China  
TEL : +86-755-83234801 83233058 FAX:83225058 WebSite:www.vatronix.com

### 9. Application circuit



### 10. LCM Function Description

The LCM built-in Sitronix ST7565P. ST7565P is a single chip driver & controller LSI for graphic dot-matrix liquid crystal display systems. This chip can be connected directly to a microprocessor, accepts serial or 8-bit parallel display data from the microprocessor, stores the display data in an on-chip display data RAM of 65 x 132 bits and generates a liquid crystal display drive signal independent of the microprocessor. It provides a high-flexible display section due to 1-to-1 correspondence between on-chip display data RAM bits and LCD panel pixels. It contains 65 common driver circuits and 132 segment driver circuits, so that a single chip can drive a 65 x 132 dot display. And the capacity of the display can be increased through the use of master/slave multi-chip structures.

These chip are able to minimize power consumption because it performs display data RAM read/write operation with no external operation clock. In addition, because it contains power supply circuits necessary to drive liquid crystal, which is a display clock oscillator circuit, high performance voltage converter circuit, high-accuracy voltage regulator circuit, low power consumption voltage divider resistors and OP-Amp for liquid crystal driver power voltage, it is possible to make the lowest power consumption display system with the fewest components for high performance portable systems.

#### On-chip Display Data RAM

- Capacity:  $65 \times 132 = 8,580$  bits
- RAM bit data " 1 " : a dot of display is illuminated.
- RAM bit data " 0 " : a dot of display is not illuminated.

#### Various Function Set

-Display ON/OFF, set initial display line, set page address, set column address, read status, write/read display data, select segment driver output, reverse display ON/OFF, entire display ON/OFF, select LCD bias, set/reset modify-read, select common driver output, control display power circuit, select internal regulator resistor ratio for V0 voltage regulation, electronic volume, set static indicator state.

-H/W and S/W reset available



# Shenzhen Vatronic Technology CO.,LTD.

ADD : 4/F, No.404 Bldg, Shangbu Industrial Zone, Futian District, Shenzhen, China  
 TEL : +86-755-83234801 83233058 FAX:83225058 WebSite:www.vatronic.com

-Static drive circuit equipped internally for indicators with 4 flashing modes

### Built-in Analog Circuit

- On-chip oscillator circuit for display clock (external clock can also be used)
- High performance voltage converter (with booster ratios of x2, x3, x4 and x5, where the step-up reference voltage can be used externally)
- High accuracy voltage regulator (temperature coefficient: -0.05%/°C or external input)
- Electronic contrast control function (64 steps)
- Vref = 2.1V ± 3% (V0 voltage adjustment voltage)
- High performance voltage follower (V1 to V4 voltage divider resistors and OP-Amp for increasing drive capacity)

### Operating Voltage Range

- Supply voltage (VDD): 2.4 to 3.6 V
- LCD driving voltage (VLCD = V0 - VSS): 4.5 to 13.0 V

### Low Power Consumption

- Operating power: 400uA typical. (Condition: VDD = 3V, x 4 boosting(VCI is VDD),V0 = 11V, internal power supply ON, display OFF and normal mode is selected)
- Standby power: 30uA maximum. (During power save [standby] mode)

### Microprocessor interface

- High-speed 8-bit parallel interface with 6800-series or 8080-series. (These LCM masked).
- Serial interface (**only write operation**) available. (These LCM available).

### Chip Select Input

There are /CS1 pins for chip selection. The LCM can interface with an MPU only when /CS is "L" . When these pins are set to any other combination, RS, E\_RDB, and RW\_WRB inputs are disabled and DB0 to DB7 are to be high impedance. And, in case of serial interface, the internal shift register and the counter are reset.

### Parallel / Serial Interface (**These LCM use serial interface only**)

LCM used ST7565P has three types of interface with an MPU, which are one serial and two parallel interfaces.

**This parallel or serial interface is determined by PS pin as shown in following table.**

PS	Type	CS1B	CS2	C68	Interface mode
H	Parallel	CS1B	CS2	H	6800-series MPU mode
				L	8080-series MPU mode
L	Serial	CS1B	CS2	*	Serial-mode

\*: Don't care

### Parallel interface (PS = "H")

The 8-bit bi-directional data bus is used in parallel interface and the type of MPU is selected by C68 as shown in following table.

#### Microprocessor Selection for Parallel Interface

C68	CS1B	CS2	RS	E_RDB	RW_WRB	DB0 to DB7	Interface mode
H	CS1B	CS2	RS	E	RW	DB0 to DB7	6800-series
L	CS1B	CS2	RS	/RDB	/WR	DB0 to DB7	8080-series

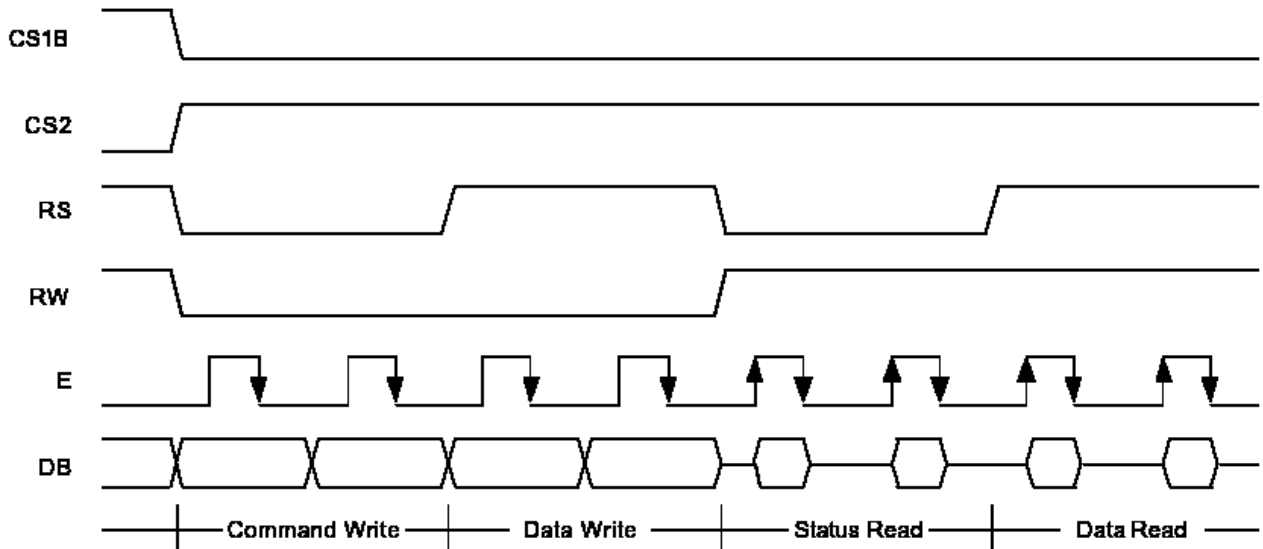
The type of data transfer is determined by signals at RS, E\_RDB and RW\_WRB as following Table.

# Shenzhen Vatronix Technology CO.,LTD.

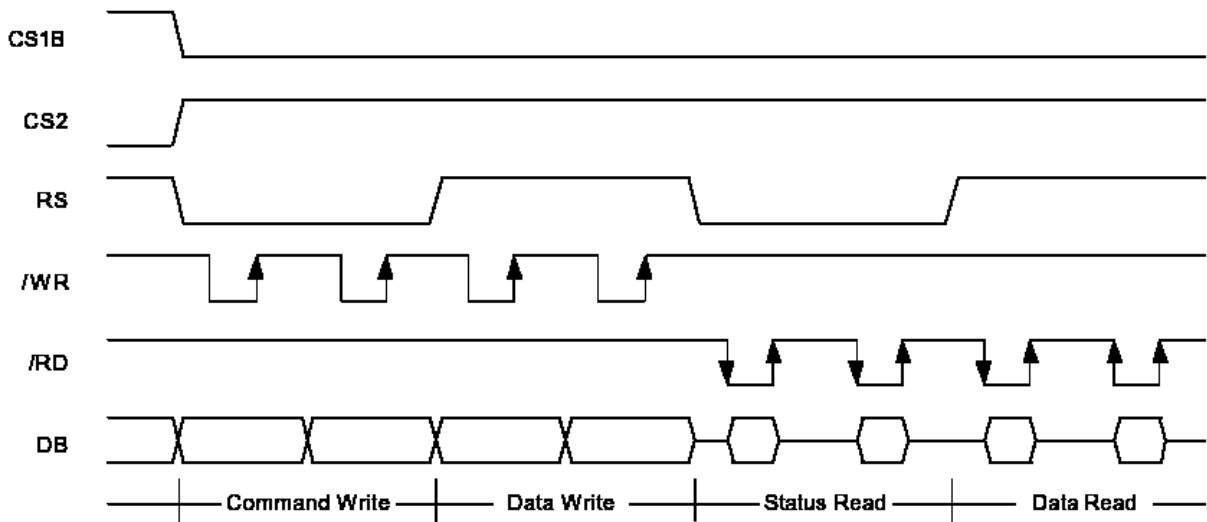
ADD : 4/F, No.404 Bldg, Shangbu Industrial Zone, Futian District, Shenzhen, China  
 TEL : +86-755-83234801 83233058 FAX:83225058 WebSite:www.vatronix.com

## Parallel Data Transfer

Common	6800-series		8080-series		Description
RS	E_RDB	RW_WRB	E_RDB	RW_WRB	
H	H	H	L	H	Display data read out
H	H	L	H	L	Display data write
L	H	H	L	H	Register status read
L	H	L	H	L	Writes to internal register (instruction)



**Figure 1. 6800-Series MPU Interface protocol (PS="H", ME="H")**



**Figure 2. 8080-Series MPU Interface Protocol (PS="H", ME="L")**

# Shenzhen Vatronix Technology CO.,LTD.

ADD : 4/F,No.404 Blg,Shangbu Industrial Zone,Futian District,Shenzhen,China  
TEL : +86-755-83234801 83233058 FAX:83225058 WebSite:www.vatronix.com

## Serial Interface (PS = "L")

When the ST7565P is active, serial data (DB7) and serial clock (DB6) inputs are enabled. And not active, the internal 8-bit shift register and the 3-bit counter are reset. Serial data can be read on the rising edge of serial clock going into DB6 and processed as 8-bit parallel data on the eighth serial clock. Serial data input is display data when RS is high and control data when RS is low. Since the clock signal (DB6) is easy to be affected by the external noise caused by the line length, the operation check on the actual machine is recommended.

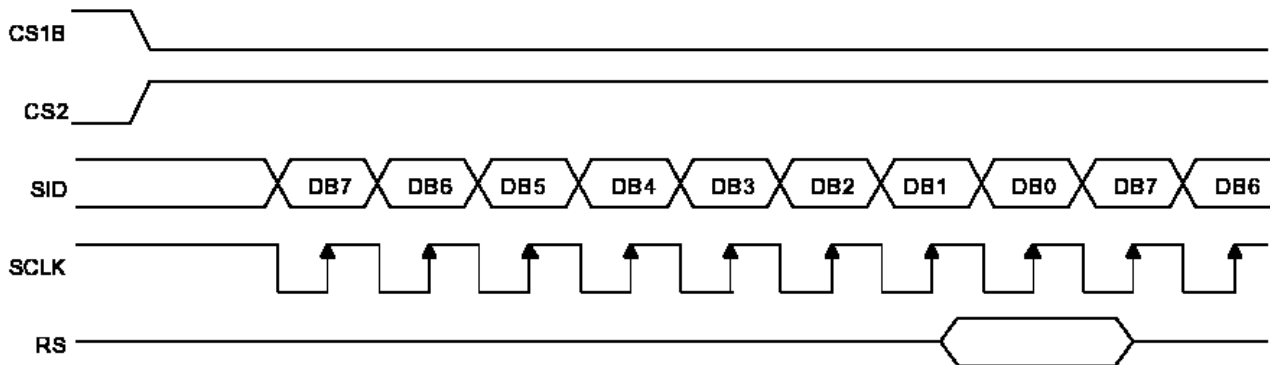


Figure 3. Serial Interface Protocol

## Busy Flag (For parallel interface only)

The Busy Flag indicates whether the LCM is operating or not. When DB7 is "H" in read status operation, this device is in busy status and will accept only read status instruction. If the cycle time is correct, the microprocessor needs not to check this flag before each instruction, which improves the MPU performance.

## DISPLAY DATA RAM (DDRAM)

The Display Data RAM stores pixel data for the LCD. It is 65-row by 132-column addressable array. Each pixel can be selected when the page and column addresses are specified. The 65 rows are divided into 8 pages of 8 lines and the 9th page with a single line (DB0 only). Data is read from or written to the 8 lines of each page directly through DB0 to DB7. The microprocessor can read from and write to RAM through the I/O buffer. Since the LCD controller operates independently, data can be written into RAM at the same time as data is being displayed without causing the LCD flicker.

## Page Address Circuit

The LCM incorporates 4-bit Page Address register changed by only the "Set Page" instruction. Page Address 8 (DB3 is "H", but DB2, DB1 and DB0 are "L") is a special RAM area for the icons and display data DB0 is only valid. When Page Address is above 8, it is impossible to access to on-chip RAM. See in "Display Data RAM Map"

## Line Address Circuit .

This circuit assigns DDRAM a Line Address corresponding to the first line (COM0) of the display. Therefore, by setting line address repeatedly, it is possible to realize the screen scrolling and page switching without changing the contents of on-chip RAM as shown in "Display Data RAM Map" It incorporates 6-bit line address register changed by only the initial display line instruction and 6-bit counter circuit. At the beginning of each LCD frame, the contents of register are copied to the line counter which is increased by CL signal and generates the Line Address for transferring the 132-bit RAM data to the display data latch circuit. However, display data of icons are not scrolled because

## Shenzhen Vatronix Technology CO.,LTD.

ADD : 4/F,No.404 Blg,Shangbu Industrial Zone,Futian District,Shenzhen,China  
TEL : +86-755-83234801 83233058 FAX:83225058 WebSite:www.vatronix.com

---

the MPU can not access Line Address of icons.

### Column Address Circuit

Column Address circuit has an 8-bit preset counter that provides column address to the Display Data RAM. When set Column Address MSB / LSB instruction is issued, 8-bit [Y7:Y0] is updated. And, since this address is increased by 1 each a read or write data instruction, microprocessor can access the display data continuously. However, the counter is not increased and locked if a non-existing address above 84H. It is unlocked if a column address is set again by set Column Address MSB / LSB instruction. And the Column Address counter is independent of page address register. ADC select instruction makes it possible to invert the relationship between the Column Address and the segment outputs. It is necessary to rewrite the display data on built-in RAM after issuing ADC Select instruction.

### RESET CIRCUIT

Setting /RST to "L" or Reset instruction can initialize internal function.

When /RST becomes "L", following procedure is occurred.

Display ON / OFF: OFF

Entire display ON / OFF: OFF(normal)

ADC select: OFF(normal)

Reverse display ON / OFF: OFF(normal)

Power control register (VC, VR, VF) = (0, 0, 0)

Serial interface internal register data clear

LCD bias ratio: 1/9 (1/65 duty), 1/8 (1/55 duty), 1/8 (1/49duty),1/6 (1/33 duty)

On-chip oscillator OFF

Power save release

Read-modify-write: OFF

SHL select:OFF (normal)

Static indicator mode: OFF

Static indicator register: (S1, S0) = (0, 0)

Display start line: 0 (first) Column address: 0

Page address: 0

Regulator resistor select register: (R2, R1, R0) = (1, 0, 0)

Reference voltage set: OFF

Reference voltage control register: (SV5, SV4, SV3, SV2, SV1, SV0) = (1, 0, 0, 0, 0, 0)

While /RST is "L" or Reset instruction is executed, no instruction except read status could be accepted. Reset status appears at DB4. After DB4 becomes "L", any instruction can be accepted. RESETB must be connected to the reset pin of the MPU, and initialize the MPU and this LSI at the same time. The initialization by RESETB is essential before used.

# Shenzhen Vatronic Technology CO.,LTD.

ADD : 4/F,No.404 Blg,Shangbu Industrial Zone,Futian District,Shenzhen,China  
 TEL : +86-755-83234801 83233058 FAX:83225058 WebSite:www.vatronic.com

## POWER SUPPLY CIRCUITS

The Power Supply circuits generate the voltage levels necessary to drive liquid crystal driver circuits with low power consumption and the fewest components. There are voltage converter circuits, voltage regulator circuits, and voltage follower circuits. They are valid only in master operation and controlled by power control instruction. For details, refers to "Instruction Description".

### Voltage Converter Circuits

These circuits boost up the electric potential between VCI and VSS to 2, 3, 4 or 5 times toward positive side and boosted voltage is outputted from VOUT pin. These LCM fixed to 4 times.

### Voltage Regulator Circuits

The function of the internal Voltage Regulator circuits is to determine liquid crystal operating voltage, V0, by adjusting resistors, Ra and Rb, within the range of  $|V0| < |VOUT|$ . Because VOUT is the operating voltage of operational-amplifier circuits, it is necessary to be applied internally or externally. For the Eq. 1, we determine V0 by Ra, Rb and VEV. The Ra and Rb are connected internally or externally by INTRS pin. And VEV called the voltage of electronic volume is determined by Eq. 2, where the parameter a is the value selected by instruction, "Set Reference Voltage Register", within the range 0 to 63. VREF voltage at Ta= 25°C is shown in table 1.

$$V0 = ( 1 + Rb/ Ra) \times V_{EV} \quad [V] \quad \text{----- (Eq. 1)}$$

$$V_{EV} = (1 - (63 - a) / 162) \times V_{REF} \quad [V] \quad \text{----- (Eq. 2)}$$

Table 1. VREF Voltage at Ta = 25 °C

REF	Temp. coefficient	VREF [V]
H	-0.05% / °C	2.1
L	External input	VEXT

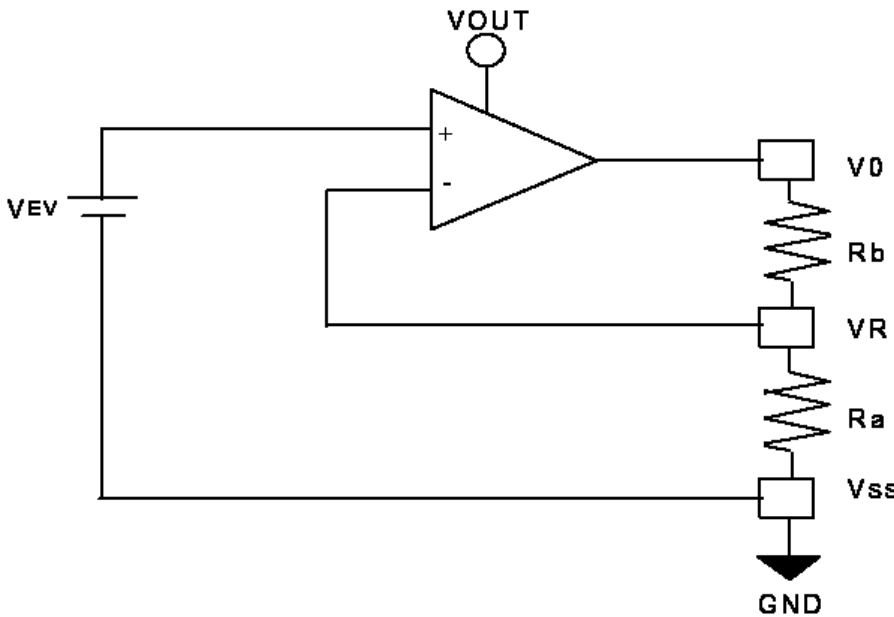


Figure 4. Internal Voltage Regulator Circuit

# Shenzhen Vatronix Technology CO.,LTD.

ADD : 4/F, No.404 Bldg, Shangbu Industrial Zone, Futian District, Shenzhen, China  
 TEL : +86-755-83234801 83233058 FAX:83225058 WebSite:www.vatronix.com

## In Case of Using Internal Resistors, Ra and Rb. (INTRS = "H") (LCM fixed to "H")

When INTRS pin is "H", resistor Ra is connected internally between VR pin and VSS, and Rb is connected between V0 and VR. We determine V0 by two instructions, "Regulator Resistor Select" and "Set Reference Voltage".

The following figure shows V0 voltage measured by adjusting internal regulator resistor ratio (Rb / Ra) and 6-bit electronic volume registers for each temperature coefficient at Ta = 25°C.

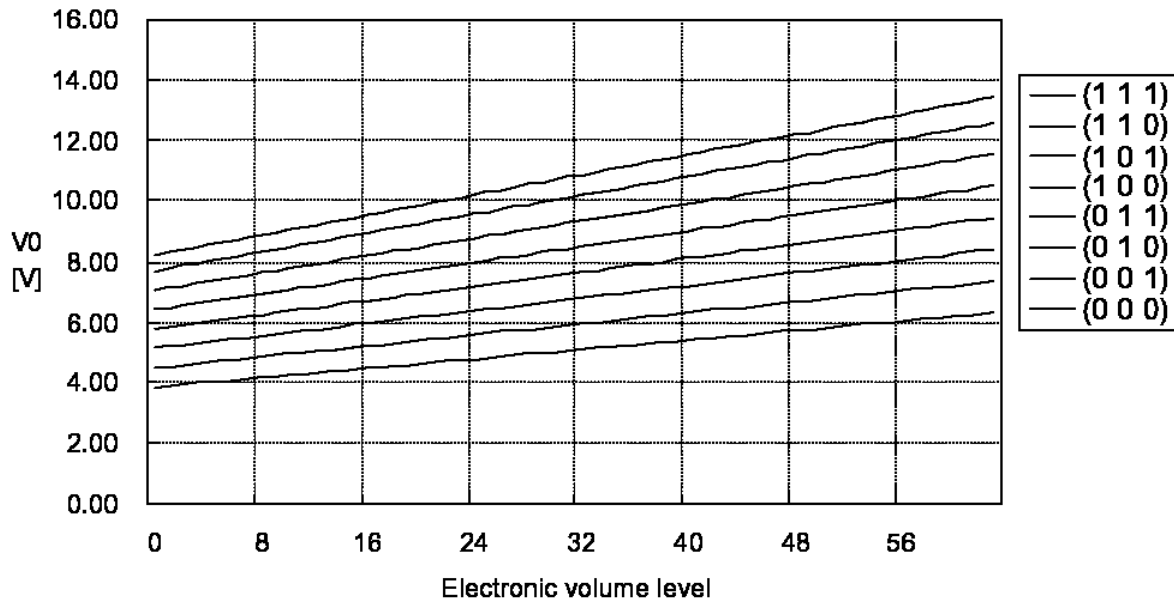


Figure 5. Electronic Volume Level

## In Case of Using External Resistors, Ra and Rb. (INTRS = "L")

When INTRS pin is "L", it is necessary to connect external regulator resistor Ra between VR and VSS, and Rb between V0 and VR. Example: For the following requirements

1. LCD driver voltage, V0 = 10V
2. 6-bit reference voltage register = (1, 0, 0, 0, 0, 0)
3. Maximum current flowing Ra, Rb = 1uA From Eq. 1

$$10 = (1 + Rb/Ra) \times V_{EV} \text{ [V]} \text{ ----- (Eq. 3)}$$

From Eq. 2

$$V_{EV} = (1 - (63 - 32)/162) \times 2.1 = 1.698 \text{ [V]} \text{ ----- (Eq. 4)}$$

From requirement 3.

$$10 / (Rb + Ra) = 1 \text{ [uA]} \text{ ----- (Eq. 5) From equations Eq.3, 4 and 5}$$

Ra @ 1.69 [MW]     Rb @ 8.31 [MW]

The following table shows the range of V0 depending on the above requirements.

**Table 2. V0 Depending on Electronic Volume Level**

	Electronic volume level				
	0	...	32	...	63
V0	7.57	...	10.00	...	12.43

# Shenzhen Vatronix Technology CO.,LTD.

ADD : 4/F,No.404 Blg,Shangbu Industrial Zone,Futian District,Shenzhen,China  
 TEL : +86-755-83234801 83233058 FAX:83225058 WebSite:www.vatronix.com

## 11. User instruction Definitions

### 11.1 Instruction table

Command	Command Code										Function		
	A0	/RD	/WR	D7	D6	D5	D4	D3	D2	D1		D0	
(1) Display ON/OFF	0	1	0	1	0	1	0	1	1	1	0	1	LCD display ON/OFF 0: OFF, 1: ON
(2) Display start line set	0	1	0	0	1	Display start address						Sets the display RAM display start line address	
(3) Page address set	0	1	0	1	0	1	1	Page address				Sets the display RAM page address	
(4) Column address set upper bit	0	1	0	0	0	0	1	Most significant column address				Sets the most significant 4 bits of the display RAM column address.	
Column address set lower bit	0	1	0	0	0	0	0	Least significant column address				Sets the least significant 4 bits of the display RAM column address.	
(5) Status read	0	0	1	Status				0	0	0	0	0	Reads the status data
(6) Display data write	1	1	0	Write data							Writes to the display RAM		
(7) Display data read	1	0	1	Read data							Reads from the display RAM		
(8) ADC select	0	1	0	1	0	1	0	0	0	0	0	1	Sets the display RAM address SEG output correspondence 0: normal, 1: reverse
(9) Display normal/reverse	0	1	0	1	0	1	0	0	1	1	0	1	Sets the LCD display normal/reverse 0: normal, 1: reverse
(10) Display all points ON/OFF	0	1	0	1	0	1	0	0	1	0	0	1	Display all points 0: normal display 1: all points ON
(11) LCD bias set	0	1	0	1	0	1	0	0	0	1	0	1	Sets the LCD drive voltage bias ratio 0: 1/9 bias, 1: 1/7 bias (ST7565R)
(12) Read/modify/write	0	1	0	1	1	1	0	0	0	0	0	0	Column address increment At write: +1 At read: 0
(13) End	0	1	0	1	1	1	0	1	1	1	0	0	Clear read/modify/write
(14) Reset	0	1	0	1	1	1	0	0	0	1	0	0	Internal reset
(15) Common output mode select	0	1	0	1	1	0	0	0	*	*	*	*	Select COM output scan direction 0: normal direction 1: reverse direction
(16) Power control set	0	1	0	0	0	1	0	1	Operating mode			Select internal power supply operating mode	
(17) V <sub>0</sub> voltage regulator internal resistor ratio set	0	1	0	0	0	1	0	0	Resistor ratio			Select internal resistor ratio(R <sub>b</sub> /R <sub>a</sub> ) mode	
(18) Electronic volume mode set	0	1	0	1	0	0	0	0	0	0	0	1	Set the V <sub>0</sub> output voltage electronic volume register
Electronic volume register set				0	0	Electronic volume value							
(19) Static indicator ON/OFF	0	1	0	1	0	1	0	1	1	0	0	1	0: OFF, 1: ON
Static indicator register set				0	0	0	0	0	0	0	0	0	Mode
(20) Booster ratio set	0	1	0	1	1	1	1	1	0	0	0	0	select booster ratio 00: 2x,3x,4x 01: 5x 11: 6x
(21) Power saver													Display OFF and display all points ON compound command
(22) NOP	0	1	0	1	1	1	0	0	0	1	1	1	Command for non-operation
(23) Test	0	1	0	1	1	1	1	*	*	*	*	*	Command for IC test. Do not use this command

# Shenzhen Vatronix Technology CO.,LTD.

ADD : 4/F, No.404 Bldg, Shangbu Industrial Zone, Futian District, Shenzhen, China  
 TEL : +86-755-83234801 83233058 FAX:83225058 WebSite:www.vatronix.com

## 11.2 Instruction Description

**1) Display ON / OFF** Turns the Display ON or OFF

RS	RW	DB7	DB6	DB5	DB4	DB3	DB2	DB1	DB0
0	0	1	0	1	0	1	1	1	DON

DON = 1: display ON

DON = 0: display OFF

**2) Initial Display Line**

**Sets the line address of display RAM to determine the Initial Display Line. The top row (COM0 when SHL= L, COM63 when SHL = H) of LCD panel.**

RS	RW	DB7	DB6	DB5	DB4	DB3	DB2	DB1	DB0
0	0	0	1	ST5	ST4	ST3	ST2	ST1	ST0

ST5	ST4	ST3	ST2	ST1	ST0	Line address
0	0	0	0	0	0	0
0	0	0	0	0	1	1
:	:	:	:	:	:	:
1	1	1	1	1	0	62
1	1	1	1	1	1	63

**3) Set Page Address**

Sets the Page Address of display data RAM from the microprocessor into the Page Address register. Any RAM data bit can be accessed when its Page Address and column address are specified. Along with the column address, the Page Address defines the address of the display RAM to write or read display data. Changing the Page Address doesn't effect to the display status.

RS	RW	DB7	DB6	DB5	DB4	DB3	DB2	DB1	DB0
0	0	1	0	1	1	P3	P2	P1	P0

P3	P2	P1	P0	Page address
0	0	0	0	0
0	0	0	1	1
:	:	:	:	:
0	1	1	1	7
1	0	0	0	8

**4) Set Column Address**

Sets the Column Address of display RAM from the microprocessor into the Column Address register. Along with the Column Address, the Column Address defines the address of the display RAM to write or read display data. When the microprocessor reads or writes display data to or from display RAM, Column Addresses are automatically increased.

**Set Column Address MSB**

RS	RW	DB7	DB6	DB5	DB4	DB3	DB2	DB1	DB0
0	0	0	0	0	1	Y7	Y6	Y5	Y4



# Shenzhen Vatronic Technology CO.,LTD.

ADD : 4/F, No.404 Bldg, Shangbu Industrial Zone, Futian District, Shenzhen, China  
 TEL : +86-755-83234801 83233058 FAX:83225058 WebSite:www.vatronic.com

## Set Column Address LSB

RS	RW	DB7	DB6	DB5	DB4	DB3	DB2	DB1	DB0
0	0	0	0	0	0	Y3	Y2	Y1	Y0

Y7	Y6	Y5	Y4	Y3	Y2	Y1	Y0	Column address
0	0	0	0	0	0	0	0	0
0	0	0	0	0	0	0	1	1
:	:	:	:	:	:	:	:	:
1	0	0	0	0	0	1	0	130
1	0	0	0	0	0	1	1	131

## 5) Read Status (For parallel interface only)

Indicates the internal status of the LCM

RS	RW	DB7	DB6	DB5	DB4	DB3	DB2	DB1	DB0
0	1	BUSY	ADC	ON/OFF	/RST	0	0	0	0

Flag	Description
BUSY	The device is busy when internal operation or reset. Any instruction is rejected until BUSY goes Low. 0: chip is active, 1: chip is being busy.
ADC	Indicates the relationship between RAM column address and segment driver 0: reverse direction (SEG131? SEG0), 1: normal direction (SEG0? SEG131)
ON/OFF	Indicates display ON/OFF status 0: display ON, 1: display OFF
/RST	Indicates the initialization is in progress by /RST signal 0: chip is active, 1: chip is being reset

## 6) Write Display Data

8-bit data of display data from the microprocessor can be written to the RAM location specified by the column address and page address. The column address is increased by 1 automatically so that the microprocessor can continuously write data to the addressed page.

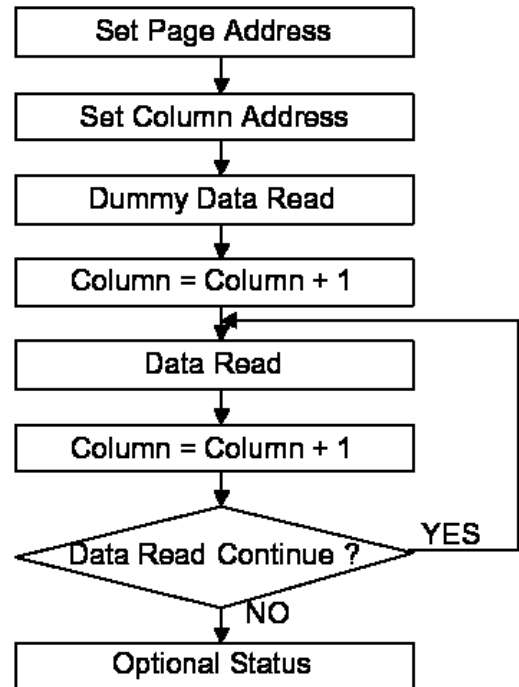
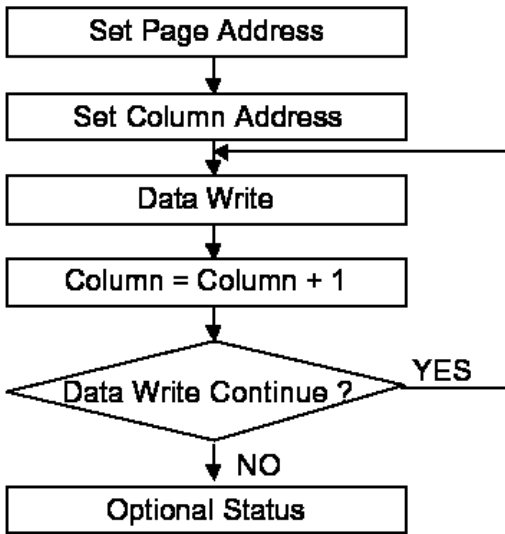
RS	RW	DB7	DB6	DB5	DB4	DB3	DB2	DB1	DB0
1	0	Write data							

## 7) Read Display Data

RS	RW	DB7	DB6	DB5	DB4	DB3	DB2	DB1	DB0
1	1	Read data							

# Shenzhen Vatronix Technology CO.,LTD.

ADD : 4/F, No.404 Bldg, Shangbu Industrial Zone, Futian District, Shenzhen, China  
 TEL : +86-755-83234801 83233058 FAX:83225058 WebSite:www.vatronix.com



**Figure 6. Sequence for Writing Display Data    Figure 7. Sequence for Reading Display Data**

### 8) ADC Select (Segment Driver Direction Select)

Changes the relationship between RAM column address and segment driver. The direction of segment driver output pins can be reversed by software. This makes IC layout flexible in LCD module assembly.

RS	RW	DB7	DB6	DB5	DB4	DB3	DB2	DB1	DB0
0	0	1	0	1	0	0	0	0	ADC

ADC = 0: normal direction (SEG0? SEG131)

ADC = 1: reverse direction (SEG131? SEG0)

### 9) Reverse Display ON / OFF

Reverses the display status on LCD panel without rewriting the contents of the display data RAM.

RS	RW	DB7	DB6	DB5	DB4	DB3	DB2	DB1	DB0
0	0	1	0	1	0	0	1	1	REV

REV	RAM bit data = "1"	RAM bit data = "0"
0(normal)	LCD pixel is illuminated	LCD pixel is not illuminated
0(reverse)	LCD pixel is not illuminated	LCD pixel is illuminated

### 10) Entire Display ON / OFF

Forces the whole LCD points to be turned on regardless of the contents of the display data RAM. At this time, the contents of the display data RAM are held. This instruction has priority over the reverse display ON / OFF instruction.

RS	RW	DB7	DB6	DB5	DB4	DB3	DB2	DB1	DB0
0	0	1	0	1	0	0	1	0	EON

# Shenzhen Vatronix Technology CO.,LTD.

ADD : 4/F, No.404 Bldg, Shangbu Industrial Zone, Futian District, Shenzhen, China  
 TEL : +86-755-83234801 83233058 FAX:83225058 WebSite:www.vatronix.com

EON = 0: normal display

EON = 1: entire display ON

### 11) Select LCD Bias

Selects LCD bias ratio of the voltage required for driving the LCD.

RS	RW	DB7	DB6	DB5	DB4	DB3	DB2	DB1	DB0
0	0	1	0	1	0	0	0	1	Bias

Bias = 0: 1/9 Duty    Bias = 1: 1/7 Duty

### 12) Set Modify-Read

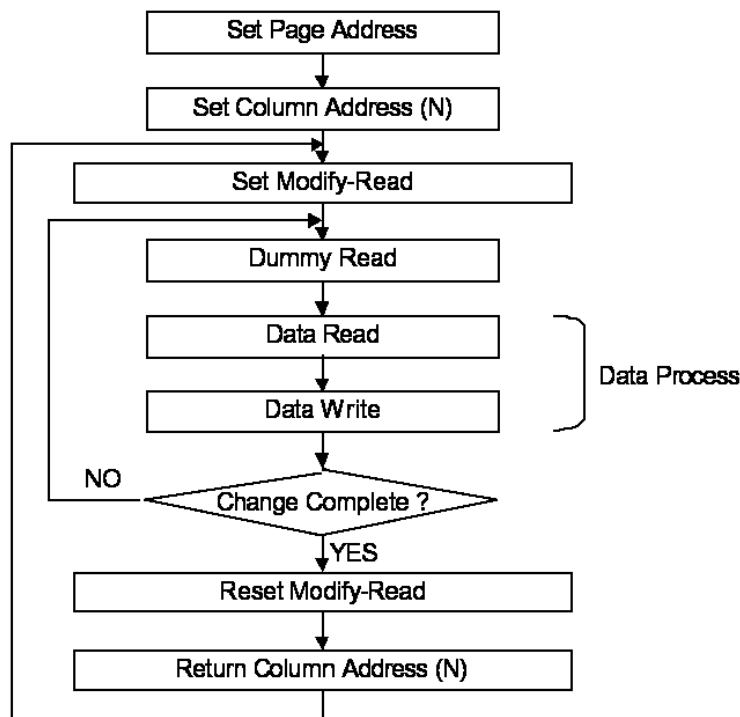
This instruction stops the automatic increment of the column address by the read display data instruction, but the column address is still increased by the write display data instruction. And it reduces the load of microprocessor when the data of a specific area is repeatedly changed during cursor blinking or others. This mode is canceled by the reset Modify-read instruction.

RS	RW	DB7	DB6	DB5	DB4	DB3	DB2	DB1	DB0
0	0	1	1	1	0	0	0	0	0

### 13) Reset Modify-Read

This instruction cancels the Modify-read mode, and makes the column address return to its initial value just before the set Modify-read instruction is started.

RS	RW	DB7	DB6	DB5	DB4	DB3	DB2	DB1	DB0
0	0	1	1	1	0	1	1	1	0



**Figure 8. Sequence for Cursor Display**

# Shenzhen Vatronix Technology CO.,LTD.

ADD : 4/F, No.404 Bldg, Shangbu Industrial Zone, Futian District, Shenzhen, China  
 TEL : +86-755-83234801 83233058 FAX:83225058 WebSite:www.vatronix.com

## 14) Reset

This instruction resets initial display line, column address, page address, and common output status select to their initial status, but dose not affect the contents of display data RAM. This instruction cannot initialize the LCD power supply, which is initialized by the /RST pin.

RS	RW	DB7	DB6	DB5	DB4	DB3	DB2	DB1	DB0
0	0	1	1	1	0	0	0	1	0

## 15) SHL Select (Common Output Mode Select)

COM output scanning direction is selected by this instruction which determines the LCD driver output status. \*: Don't care

RS	RW	DB7	DB6	DB5	DB4	DB3	DB2	DB1	DB0
0	0	1	1	0	0	SHL	*	*	*

SHL = 0: normal direction (COM0 COM63)

SHL = 1: reverse direction (COM63 COM0)

## 16) Power Control

Selects one of eight power circuit functions by using 3-bit register. An external power supply and part of internal power supply functions can be used simultaneously.

RS	RW	DB7	DB6	DB5	DB4	DB3	DB2	DB1	DB0
0	0	0	0	1	0	1	VC	VR	VF

VC	VR	VF	Page address
0			Internal voltage converter circuit is OFF
1			Internal voltage converter circuit is ON
	0		Internal voltage regulator circuit is OFF
	1		Internal voltage regulator circuit is ON
		0	Internal voltage follower circuit is OFF
		1	Internal voltage follower circuit is ON

## 17) Regulator Resistor Select

Selects resistance ratio of the internal resistor used in the internal voltage regulator. See voltage regulator section in power supply circuit. Refer to the following table.

RS	RW	DB7	DB6	DB5	DB4	DB3	DB2	DB1	DB0
0	0	0	0	1	0	0	R2	R1	R0

R2	R1	R0	(1 + Rb / Ra) ratio
0	0	0	3.0
0	0	1	3.5
0	1	0	4.0
0	1	1	4.5
1	0	0	5.0 (default)
1	0	1	5.5
1	1	0	6.0
1	1	1	6.4

# Shenzhen Vatronix Technology CO.,LTD.

ADD : 4/F, No.404 Bldg, Shangbu Industrial Zone, Futian District, Shenzhen, China  
 TEL : +86-755-83234801 83233058 FAX:83225058 WebSite:www.vatronix.com

## 18) Reference Voltage Select

Consists of 2-byte instruction. The 1st instruction sets reference voltage mode, the 2 one updates the contents of reference voltage register. After second instruction, reference voltage mode is released.

### The 1<sup>st</sup> Instruction: Set Reference Voltage Select Mode

RS	RW	DB7	DB6	DB5	DB4	DB3	DB2	DB1	DB0
0	0	1	0	0	0	0	0	0	1

### The 2<sup>nd</sup> Instruction: Set Reference Voltage Register

RS	RW	DB7	DB6	DB5	DB4	DB3	DB2	DB1	DB0
0	0	x	X	SV5	SV4	SV3	SV2	SV1	SV0

SV5	SV4	SV3	SV2	SV1	SV0	Reference voltage parameter (a)	V0	Contrast
0	0	0	0	0	0	0	Minimum	Low
0	0	0	0	0	1	1	:	:
:	:	:	:	:	:	:	:	:
1	0	0	0	0	0	32 (default)	:	:
:	:	:	:	:	:	:	:	:
1	1	1	1	1	0	62	:	:
1	1	1	1	1	1	63	Maximum	High

## 19) Set Static Indicator State

Consists of two bytes instruction. The first byte instruction (set Static Indicator mode) enables the second byte instruction (set Static Indicator register) to be valid. The first byte sets the Static Indicator ON / OFF. When it is ON, the second byte updates the contents of Static Indicator register without issuing any other instruction and this Static Indicator state is released after setting the data of indicator register.

### The 1st Instruction: Set Static Indicator Mode (ON / OFF)

RS	RW	DB7	DB6	DB5	DB4	DB3	DB2	DB1	DB0
0	0	1	0	1	0	1	1	0	SM

SM = 0: static indicator OFF

SM = 1: static indicator ON

### The 2nd Instruction: Set Static Indicator Register

RS	RW	DB7	DB6	DB5	DB4	DB3	DB2	DB1	DB0
0	0	x	x	x	x	x	x	S1	S0

S1	S0	Status of static indicator output
0	0	OFF
0	1	ON (about 1 second blinking)
1	0	ON (about 0.5 second blinking)
1	1	ON (always ON)

## 20)NOP No Operation Instruction

RS	RW	DB7	DB6	DB5	DB4	DB3	DB2	DB1	DB0
0	0	x	x	x	x	x	x	S1	S0

# Shenzhen Vatronix Technology CO.,LTD.

ADD : 4/F,No.404 Blg,Shangbu Industrial Zone,Futian District,Shenzhen,China  
TEL : +86-755-83234801 83233058 FAX:83225058 WebSite:www.vatronix.com

## 21) Power Save (Compound Instruction)

If the entire display ON/OFF instruction is issued during the display OFF state, ST7565P enters the Power Save status to reduce the power consumption to the static power consumption value. According to the status of static indicator mode, Power Save is entered to one mode of sleep and standby mode. When Static Indicator mode is ON, standby mode is issued. When OFF, sleep mode is issued. Power Save mode is released by the entire display OFF instruction.

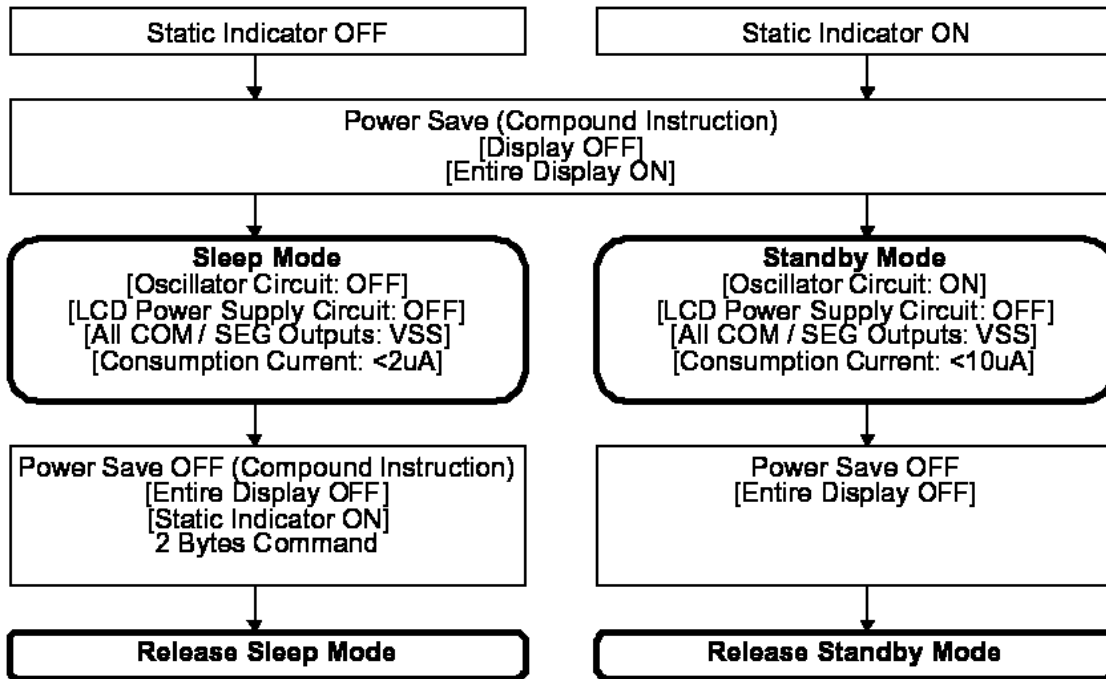


Figure 9. Power Save (Compound Instruction)

### -Sleep Mode

This stops all operations in the LCD display system, and as long as there are no access from the MPU, the consumption current is reduced to a value near the static current. The internal modes during sleep mode are as follows:

- The oscillator circuit and the LCD power supply circuit are halted.VSS level.
- All liquid crystal drive circuits are halted, and the segment in common drive outputs output a VSS level.

### - Standby Mode

The duty LCD display system operations are halted and only the static drive system for the indicator continues to operate, providing the minimum required consumption current for the static drive.

The internal modes are in the following states during standby mode.

- The LCD power supply circuits are halted. The oscillator circuit continues to operate.
- The duty drive system liquid crystal drive circuits are halted and the segment and common driver outputs a VSS level. The static drive system does not operate.

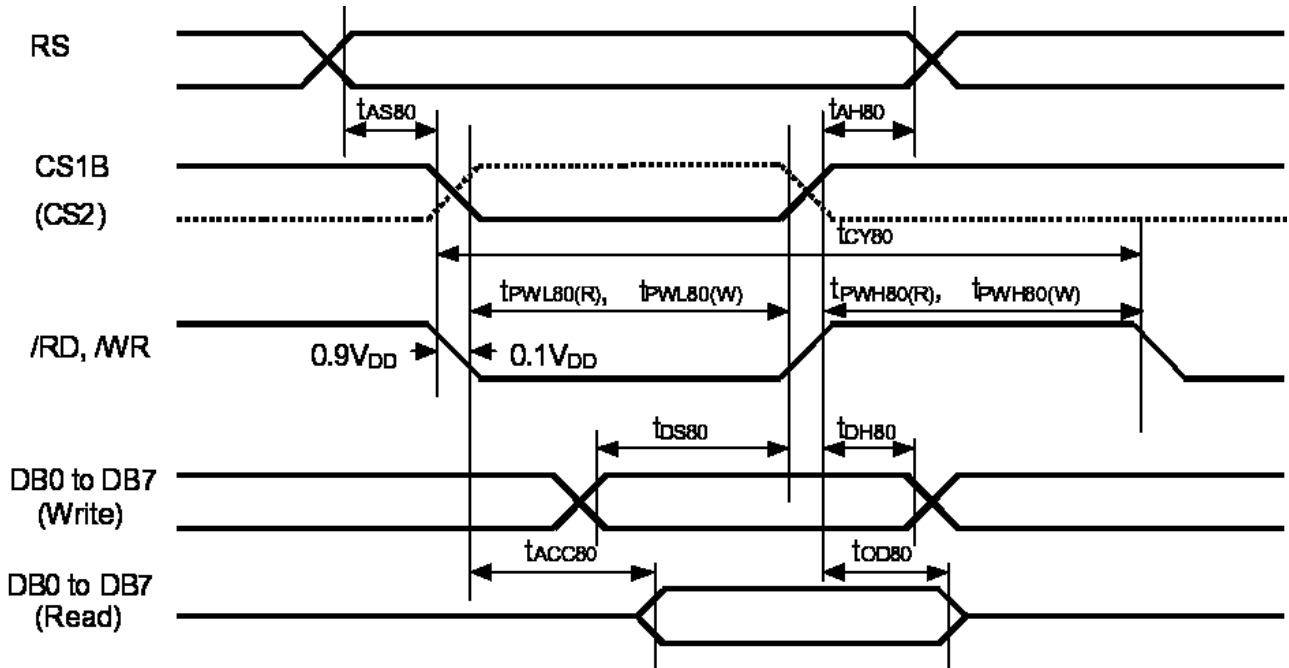
When a reset command is performed while in standby mode, the system enters sleep mode.

# Shenzhen Vatronix Technology CO.,LTD.

ADD : 4/F, No.404 Bldg, Shangbu Industrial Zone, Futian District, Shenzhen, China  
 TEL : +86-755-83234801 83233058 FAX:83225058 WebSite:www.vatronix.com

## 12. Timing Characteristics

Read / Write Characteristics (8080-series MPU) **(For parallel interface only)**



\*\* tPWL80(W) and tPWL80(R) is specified in the overlapped period when CS1B is low (CS2 is high) and /WR(/RD) is low.

Figure 10. Read / Write Characteristics (8080-series MPU)

(VDD = 2.4 to 3.6V, Ta = -40 to +85°C)

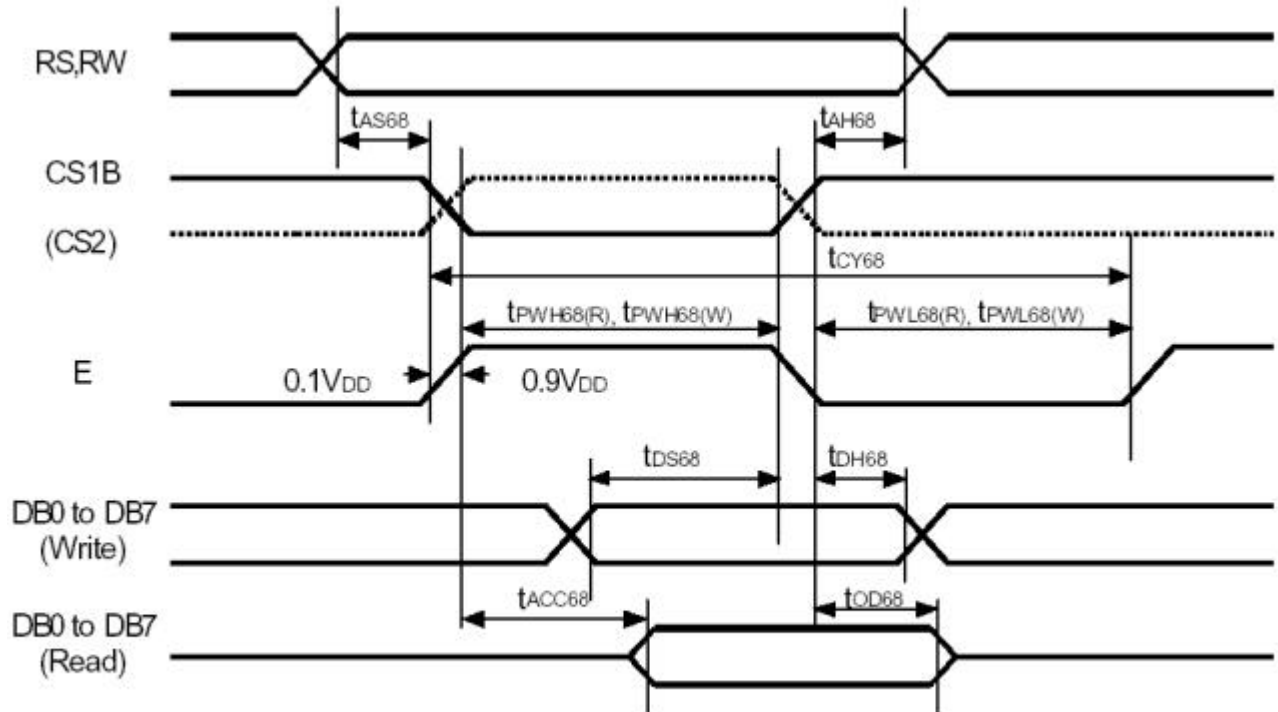
Item	Signal	Symbol	Min.	Typ.	Max.	Unit	Remark
Address setup time	RS	tAS80	0	-	-	ns	
Address hold time	RS	tAH80	0	-	-	ns	
System cycle time	/WR, /RD	tCY80	300	-	-	ns	
Enable Pulse Low width	Read	/RD	tPWL80 (R)	120	-	-	ns
	Write	/WR	tPWL80 (W)	60	-	-	ns
Enable Pulse High width	Read	/RD	tPWH80 (R)	60	-	-	ns
	Write	/WR	tPWH80 (W)	60	-	-	ns
Data setup time	DB7 To DB0	tDS80	40	-	-	ns	
Data hold time		tDH80	15	-	-	ns	
Read access time	DB0	tACC80	-	-	140	ns	CL = 100 pF
Output disable time		tOD80	10	-	100	ns	

# Shenzhen Vatronix Technology CO.,LTD.

ADD : 4/F, No.404 Bldg, Shangbu Industrial Zone, Futian District, Shenzhen, China  
 TEL : +86-755-83234801 83233058 FAX:83225058 WebSite:www.vatronix.com

## Read / Write Characteristics (6800-series Microprocessor)

(For parallel interface only)



\*\* tPWH68(W) and tPWH68(R) is specified in the overlapped period when CS1B is low (CS2 is high) and E is high.

**Figure 11. Read / Write Characteristics (6800-series Microprocessor)**

(VDD = 2.4 to 3.6V, Ta = -40 to +85°C)

Item	Signal	Symbol	Min.	Typ.	Max.	Unit	Remark
Address setup time	RS,RW	tAS68	0	-	-	ns	
Address hold time		tAH68	0	-	-	ns	
System cycle time	E	tCY68	300	-	-	ns	
Enable Pulse High Width	E	tPWH68 (R)	120			ns	
		tPWH68 (W)	60				
Enable Pulse Low Width	E	tPWL68 (R)	60			ns	
		tPWL68 (W)	60				
Data setup time	DB7 To DB0	tDS68	40	-	-	ns	
Data hold time		tDH68	15	-	-		
Access time	DB0	tACC68	-	-	140	ns	CL = 100 pF
Output disable time		tOD68	10	-	100		



# Shenzhen Vatronix Technology CO.,LTD.

ADD : 4/F, No.404 Bldg, Shangbu Industrial Zone, Futian District, Shenzhen, China  
 TEL : +86-755-83234801 83233058 FAX:83225058 WebSite:www.vatronix.com

## Serial Interface Characteristics

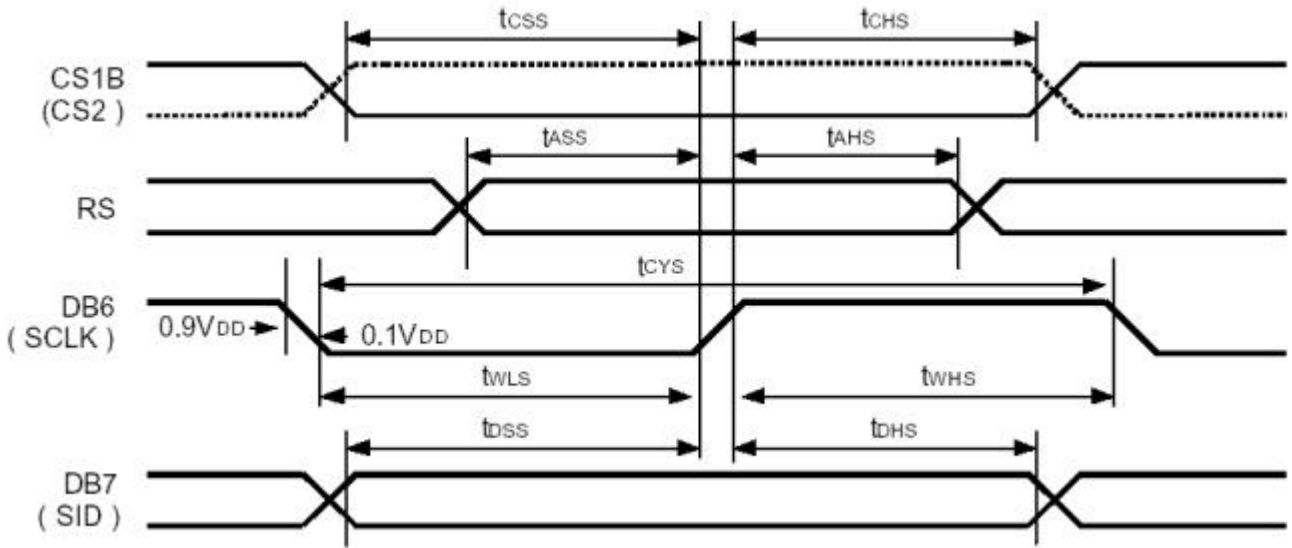


Figure 12. Serial Interface Characteristics

( $V_{DD} = 2.4$  to  $3.6V$ ,  $T_a = -40$  to  $+85^{\circ}C$ )

Item	Signal	Symbol	Min.	Typ.	Max.	Unit	Remark
Serial clock cycle	DB6 (SCLK)	$t_{CYS}$	250	-	-		
SCLK high pulse width	DB6 (SCLK)	$t_{WHS}$	100	-	-	ns	
SCLK low pulse width	DB6 (SCLK)	$t_{WLS}$	100	-	-		
Address setup time	RS	$t_{ASS}$	150	-	-	ns	
Address hold time	RS	$t_{AHS}$	150	-	-		
Data setup time	DB7 (SID)	$t_{DSS}$	100	-	-	ns	
Data hold time	DB7 (SID)	$t_{DHS}$	100	-	-		
CS1B setup time	CS1B	$t_{CSS}$	150	-	-	ns	
CS1B hold time	CS1B	$t_{CHS}$	150	-	-		

## Reset Input Timing

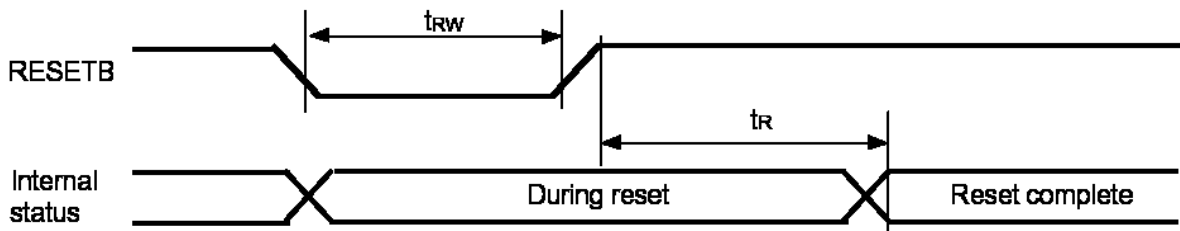


Figure 13. Reset Input Timing

( $V_{DD} = 2.4$  to  $3.6V$ ,  $T_a = -40$  to  $+85^{\circ}C$ )

Item	Signal	Symbol	Min.	Typ.	Max.	Unit	Remark
Reset low pulse width	RESETB	$t_{rw}$	1.0	-	-	$\mu s$	
Reset time	-	$t_r$	-	-	1.0	$\mu s$	

# Shenzhen Vatronix Technology CO.,LTD.

ADD : 4/F,No.404 Bldg,Shangbu Industrial Zone,Futian District,Shenzhen,China  
TEL : +86-755-83234801 83233058 FAX:83225058 WebSite:www.vatronix.com

## 13.Initializing flow chart

### ● Referential Instruction Setup Flow (1)

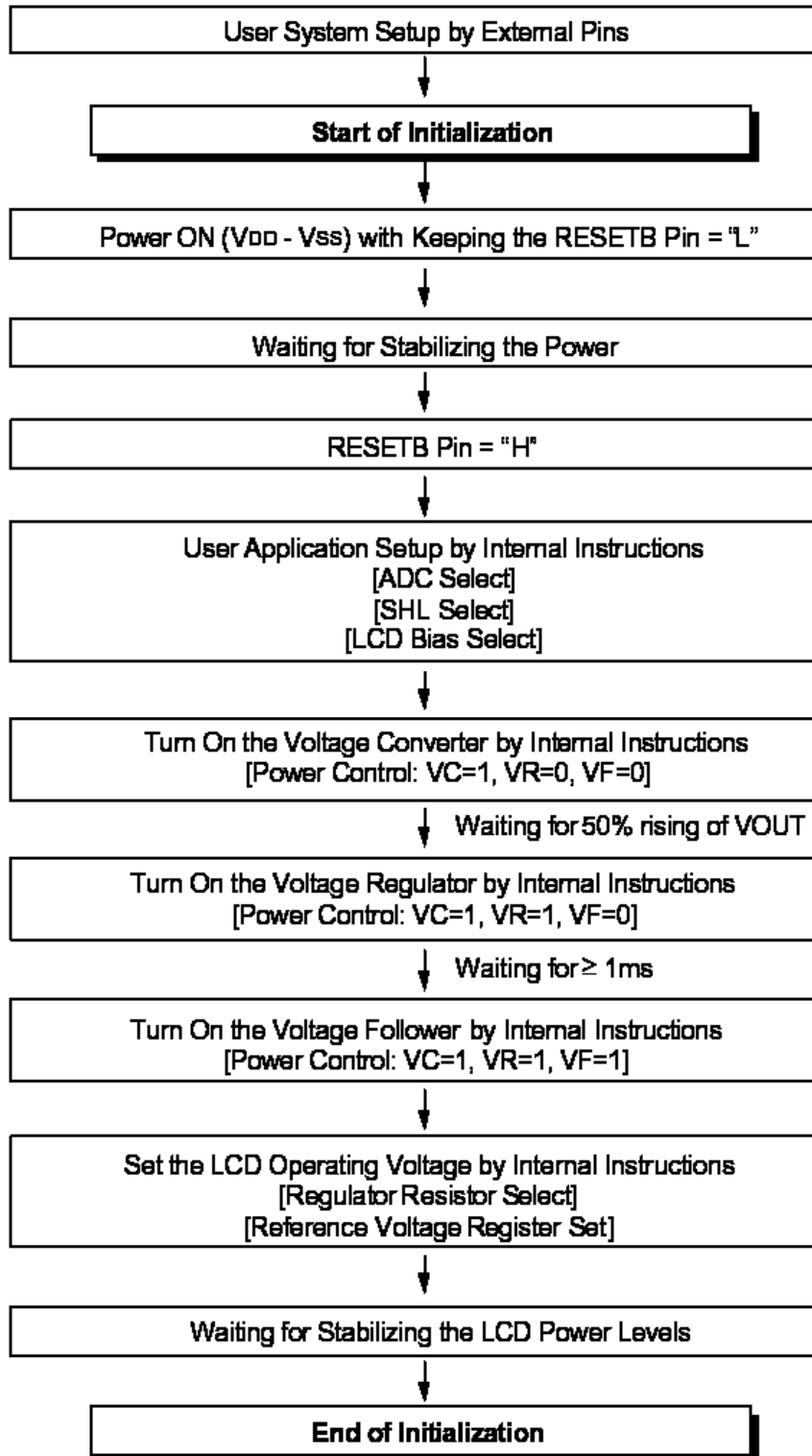


Figure 14. Initializing with the Built-in Power Supply Circuits interface mode

# Shenzhen Vatronix Technology CO.,LTD.

ADD : 4/F,No.404 Bldg,Shangbu Industrial Zone,Futian District,Shenzhen,China  
TEL : +86-755-83234801 83233058 FAX:83225058 WebSite:www.vatronix.com

## ● Referential Instruction Setup Flow (2)

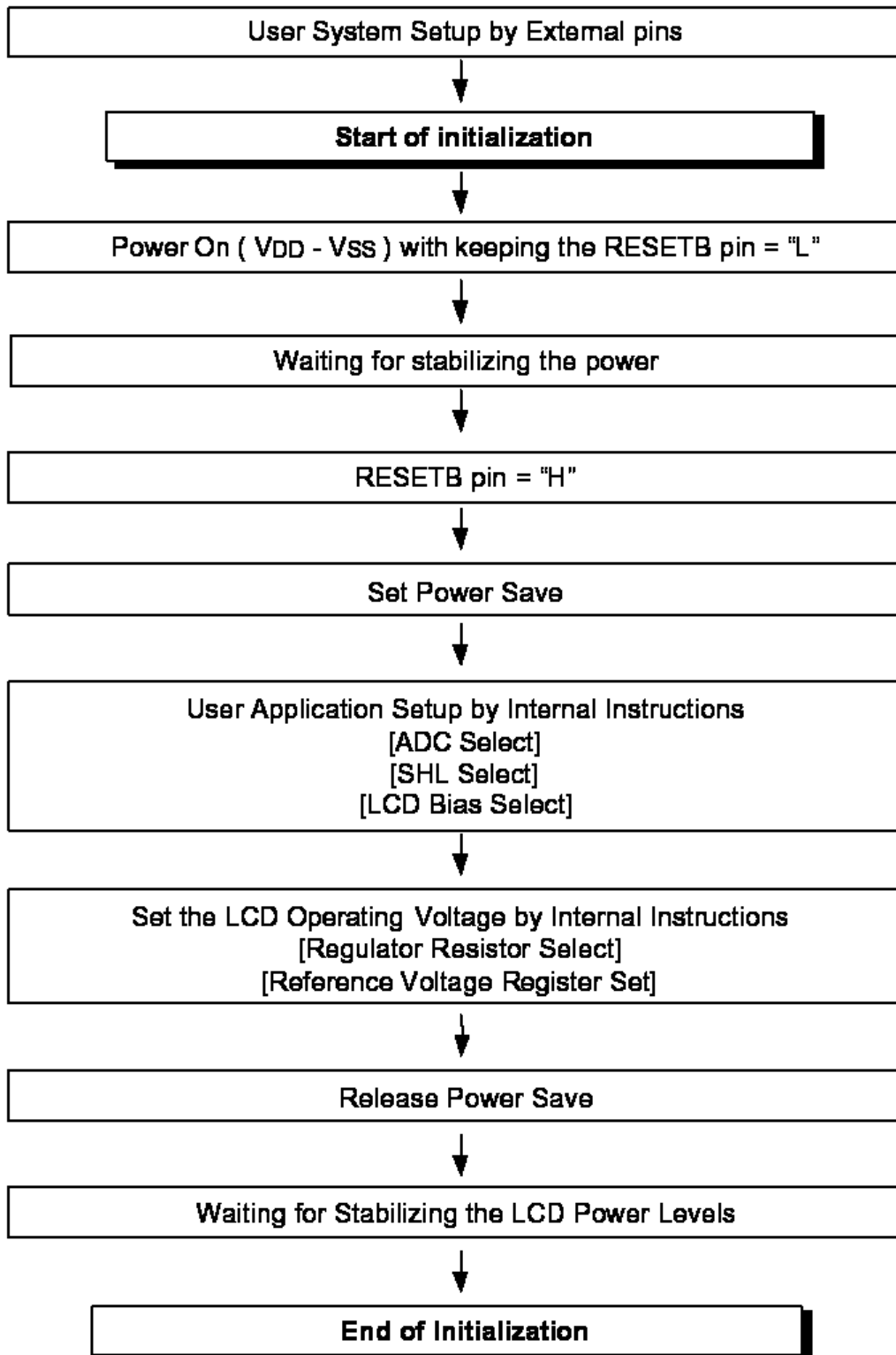


Figure 15. Initializing without the Built-in Power Supply Circuits

**Shenzhen Vatronix Technology CO.,LTD.**

ADD : 4/F,No.404 Blg,Shangbu Industrial Zone,Futian District,Shenzhen,China  
TEL : +86-755-83234801 83233058 FAX:83225058 WebSite:www.vatronix.com

● **Referential Instruction Setup Flow (3)**

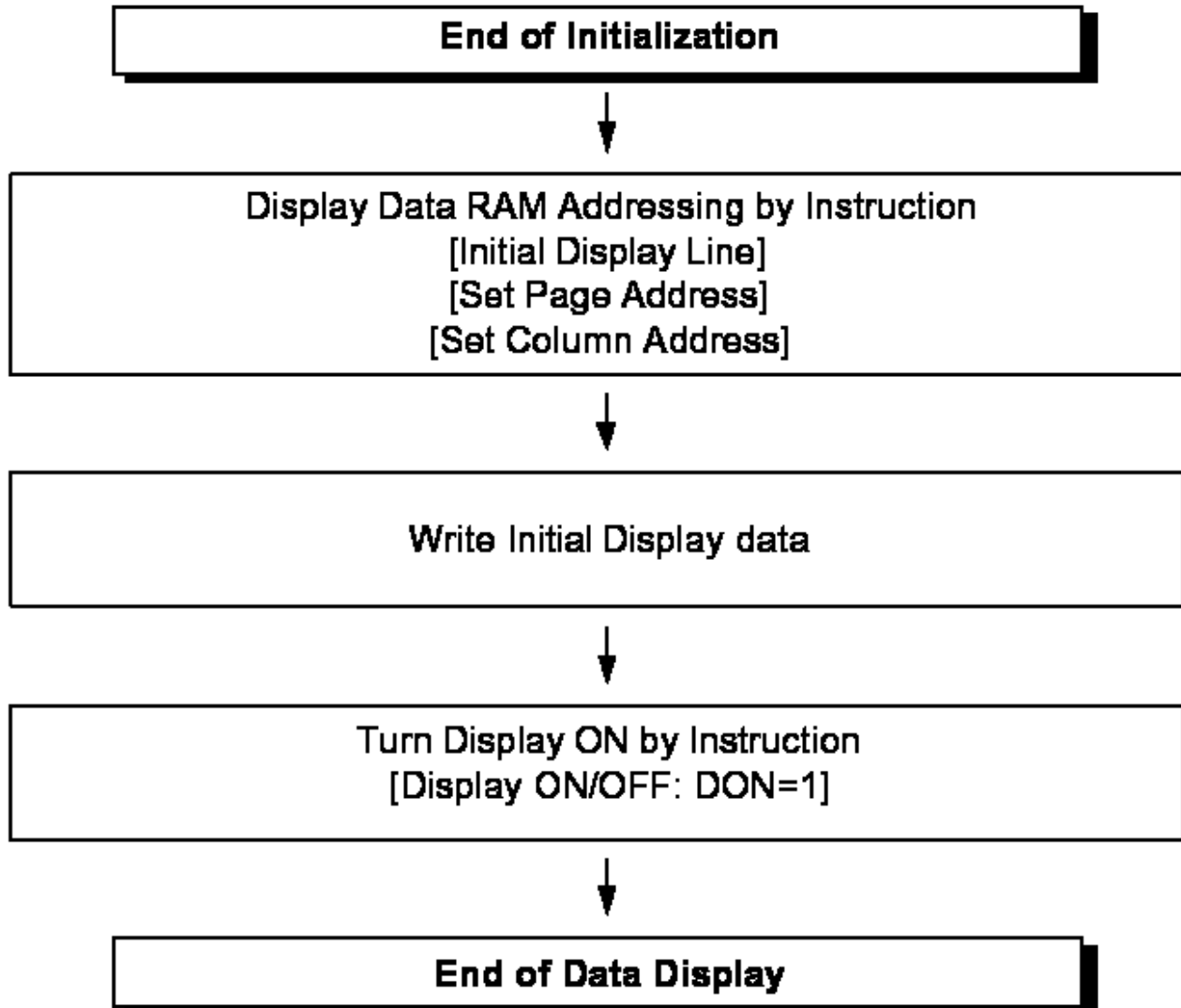


Figure 16. Data Displaying

● **Referential Instruction Setup Flow (4)**

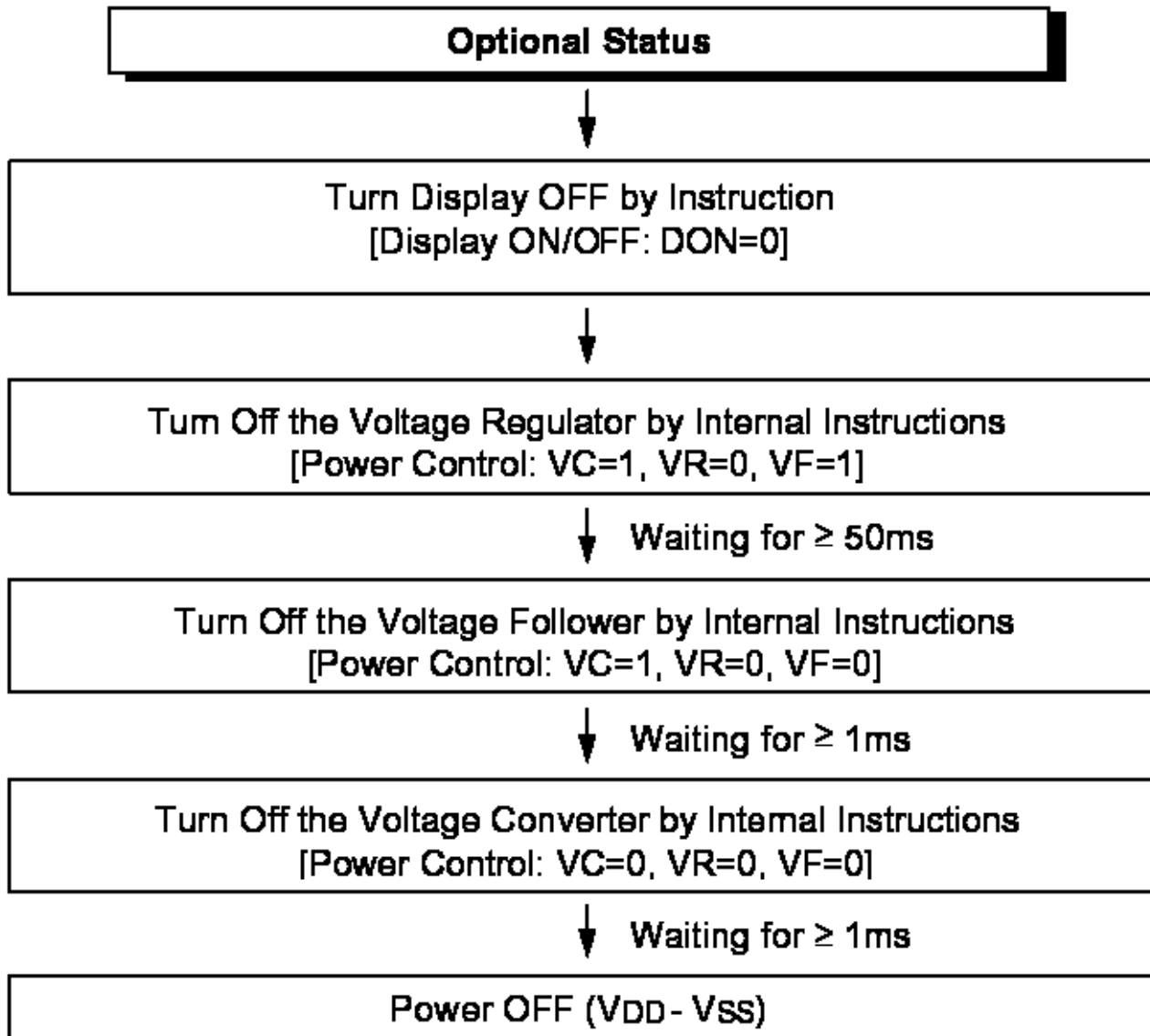
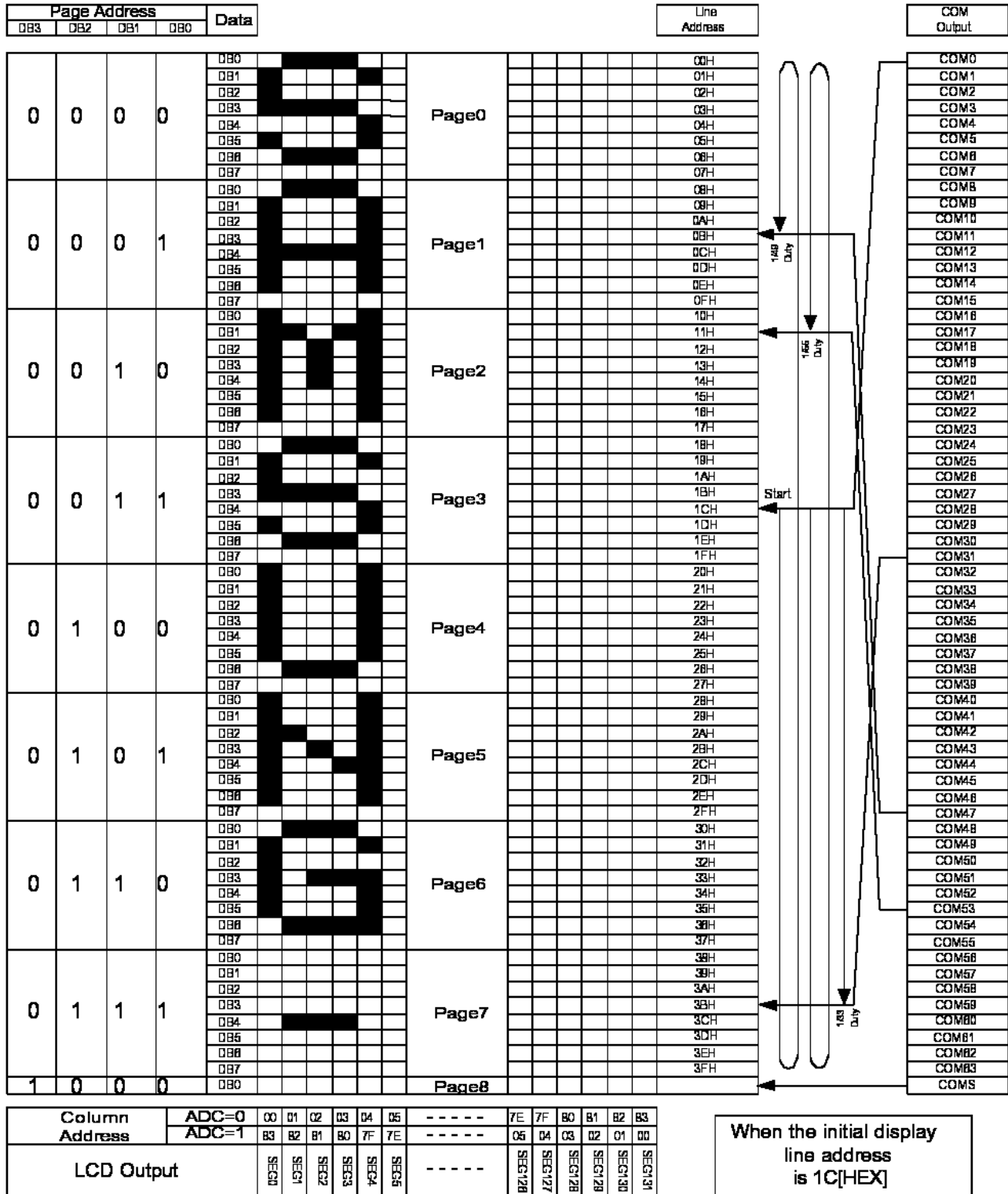


Figure 17. Power OFF

# Shenzhen Vatronix Technology CO.,LTD.

ADD : 4/F, No.404 Bldg, Shangbu Industrial Zone, Futian District, Shenzhen, China  
 TEL : +86-755-83234801 83233058 FAX:83225058 WebSite:www.vatronix.com

## 14. Display Data RAM Map



## Shenzhen Vatronix Technology CO.,LTD.

ADD : 4/F,No.404 Blg,Shangbu Industrial Zone,Futian District,Shenzhen,China  
TEL : +86-755-83234801 83233058 FAX:83225058 WebSite:www.vatronix.com

### 15. Revision record

Version	Ref.page	Reversion Items	Date
En_V1.0	All	New release	2007.03.06
En_V1.0	P3	Update the models no. rules,delete Page 3	2010-1-13