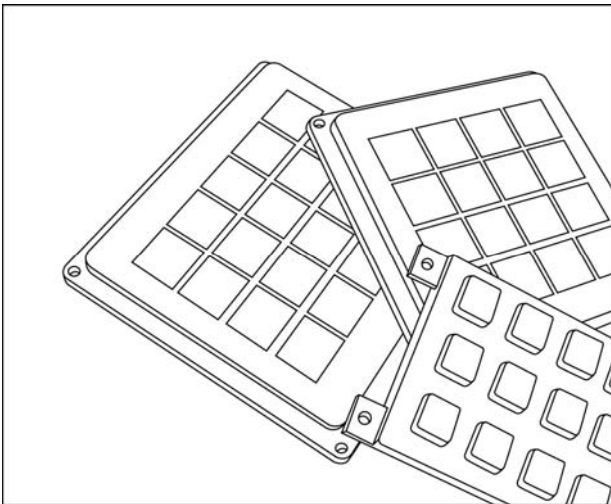


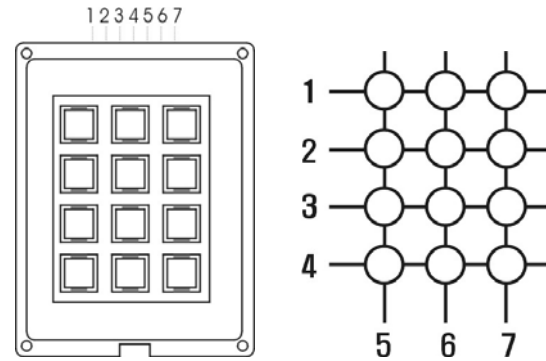
KEYPAD

Keypad Switch

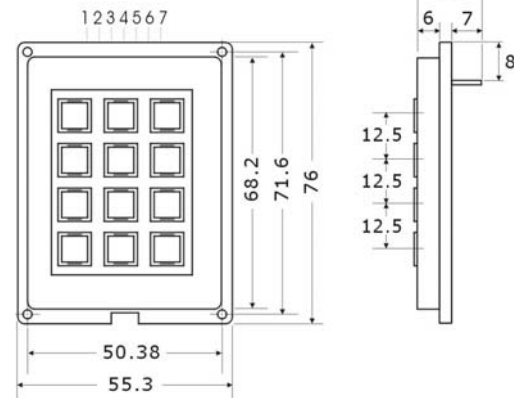


3 x 4 FUNCTION KEYPAD

- Customize Keys
- Pin Layout

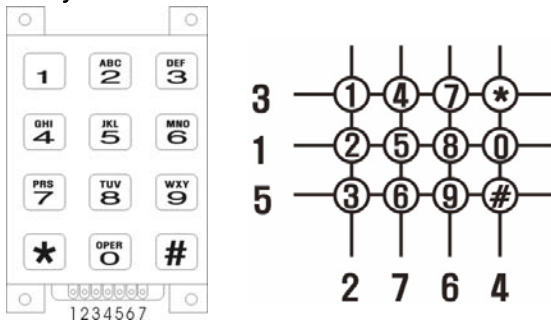


- Dimensions (Units : mm)

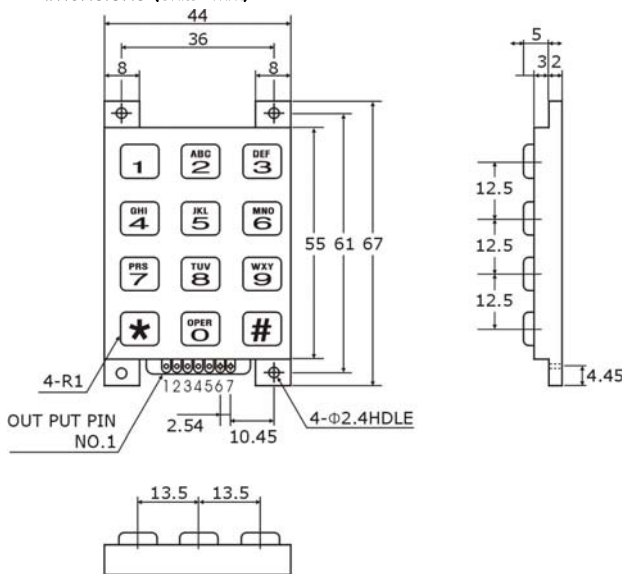


3 x 4 KEYPAD

- Pin Layout

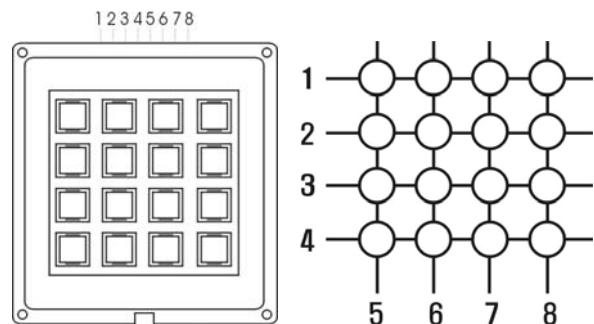


- Dimensions (Units : mm)

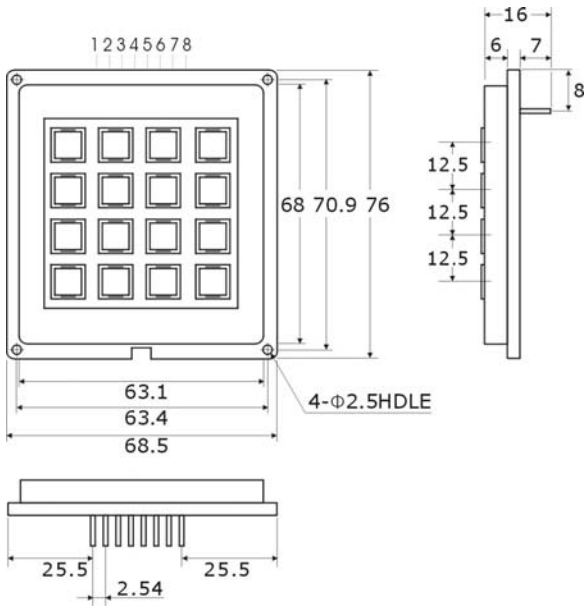


4 x 4 KEYPAD

- Customize Keys
- Pin Layout



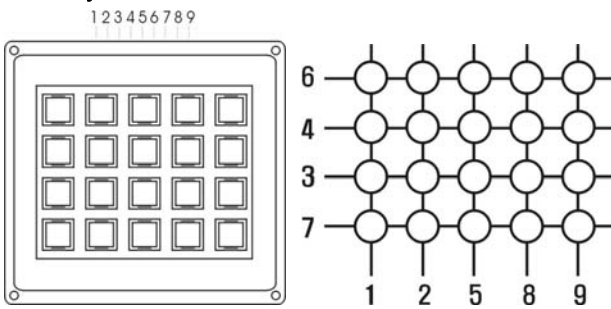
- Dimensions (Unit : mm)



4 x 5 KEYPAD

- Customized Keys

- Pin Layout



- Dimensions (Units : mm)

