

HS-50 Ultra-Micro "Feather"

Control System: +Pulse Width Control 1500usec Neutral

Required Pulse: 3-5 Volt Peak to Peak Square Wave

Operating Voltage: 4.8 Volts

Operating Temperature Range: -20 to 60 Degree C

Test Voltage: 4.8 Volts

Operating Speed: 0.09 sec/60° at no load

Stall Torque: 8.33 oz/in. (0.6kg.cm)

Operating Angle: 40° one side pulse traveling 400usec

360 Modifiable: No

Direction: Clockwise/Pulse Traveling 1500 to 1900usec

Current Drain: 8mA/idle and 100mA no load operating

Dead Band Width: 8usec

Motor Type: 3 Pole Ferrite

Potentiometer Drive: Direct Drive

Bearing Type: None, outer case serves as bearing

Gear Type: All Nylon

Connector Wire Length: 6.29" (160mm)

Dimensions: 0.82" x 0.44"x 0.86" (20.9 x 11.4 x 22mm)

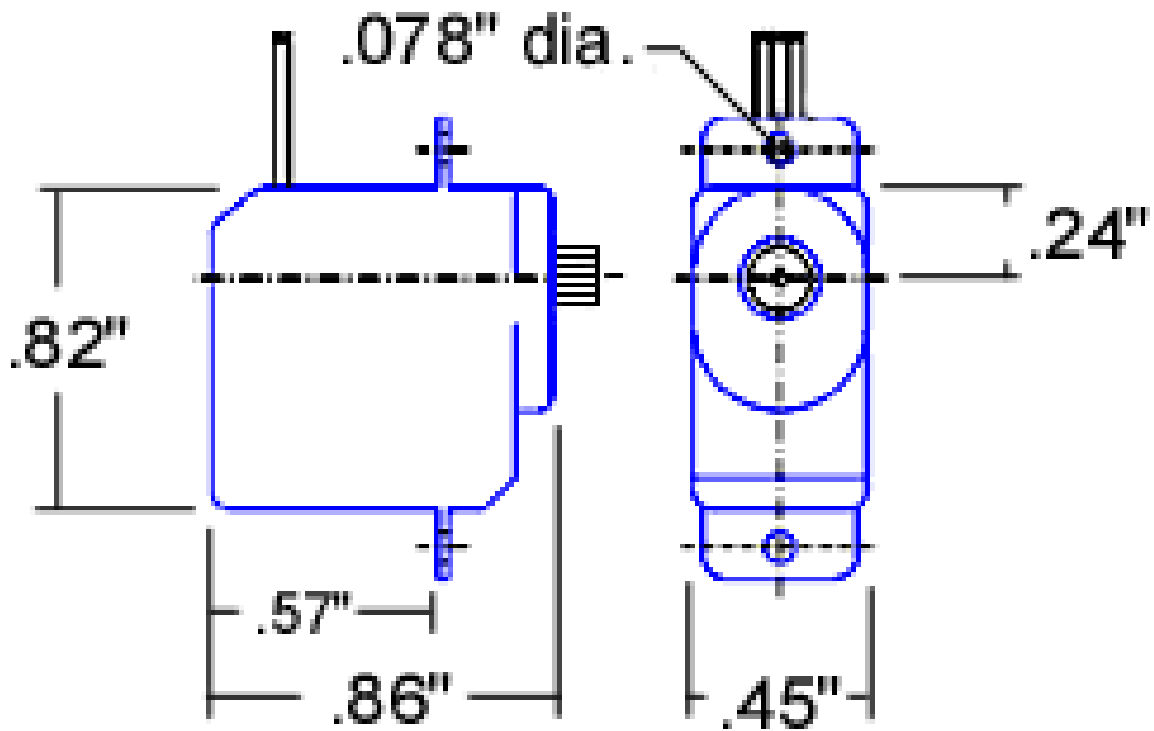
Weight: 0.22oz (6.4g) 0.21oz (6.1g) without horn or screw

The HS-50 servo is one of the smallest servos on the market. It is the perfect choice for super-light weight park flyers and especially indoor aircraft. The speed for this servo is amazing at only .09 seconds to 60°.

Detailed Specifications

MAXIMUM TORQUE ➡ **8.33** oz-in.

MAXIMUM SPEED ➡ **0.09** sec/60°





This servo can operate 180° when given a pulse signal ranging from 600usec to 2400usec. Since most R/C controllers cannot generate this wide of signal range, you will need to use our [servo stretcher](#) for 180° operation.

