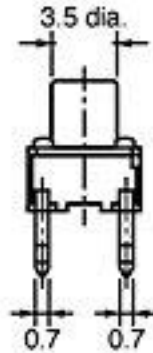
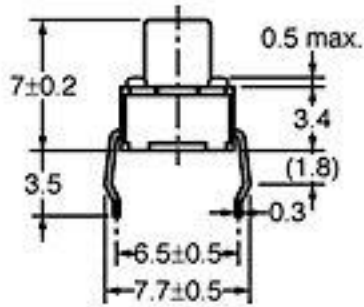
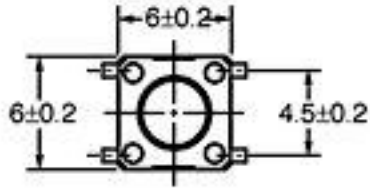
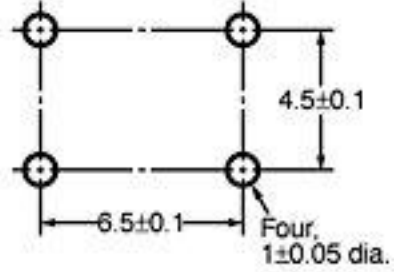


4-Pin Push Button Diagram



PCB Mounting (Top View) (Single-sided PCB, t=1.6)



Terminal Arrangement Internal Connections (Top View)

